

TABLE OF CONTENTS

A-PL-5413673-0-0	H7150 POWER SUPPLY (PL)
D-CS-5413673-0-0	H7150 POWER SUPPLY (CS)
D-IA-7016530-0-0	POWER ENTRY ASSY. (SWITCHER)
K-PL-4514001-0-DBP	LA120 KEYBOARD TERMINATOR
D-UA-5414001-0-0	LA120 KEYBOARD TERMINATOR
D-CS-5414001-1-0	LA120 KEYBOARD TERMINATOR

TITLE	LA120 UNIT ASSY.	SHEET 2 OF 2	SIZE CODE BTC	NUMBER LA120-0-3	REV C
-------	------------------	--------------	------------------	---------------------	----------

FIND NO.	DRAWING NO.	DESCRIPTION	TYPE	FIND NO.	DRAWING NO.	DESCRIPTION	TYPE
1	B-PL-LA12X-AL-Ø	20 MA OPTION PKG.	F/M				
	C-UA-BCØ5F-Ø-Ø	CABLE, INTERFACE BCØ5F	E/M				
	D-IA-7016186-0-0	HARNASS, INTERNAL 20 MA ADAPTER	F/M				
	B-PL-LA12X-AL	SHIPPING LIST LA12X-AL	-				
2	D-AD-7016059-0-0	20 MA ASSY.	M				
	D-MD-7421168-0-0	PLATE, INTERFACE	M				
3	D-IA-7015273-0-0	20 MA ADAPTER ASSY.	E/M				
4	B-DD-5413206-0	20 MA ADAPTER BOARD	E/M				
5	D-IA-7015503-0-0	20 MA LOOPBACK CONNECTION	E				
6	EK-LA12X-IN-ØØ1	INSTALLATION PROCEDURE, 20 MA OPTION KIT	E/M				

TYPE: E ELECTRICAL
M MECHANICAL
E/M ELECTRO/MECHANICAL



TITLE
LA12X 20 MA OPTION PACKAGE

SHEET 2 OF 2

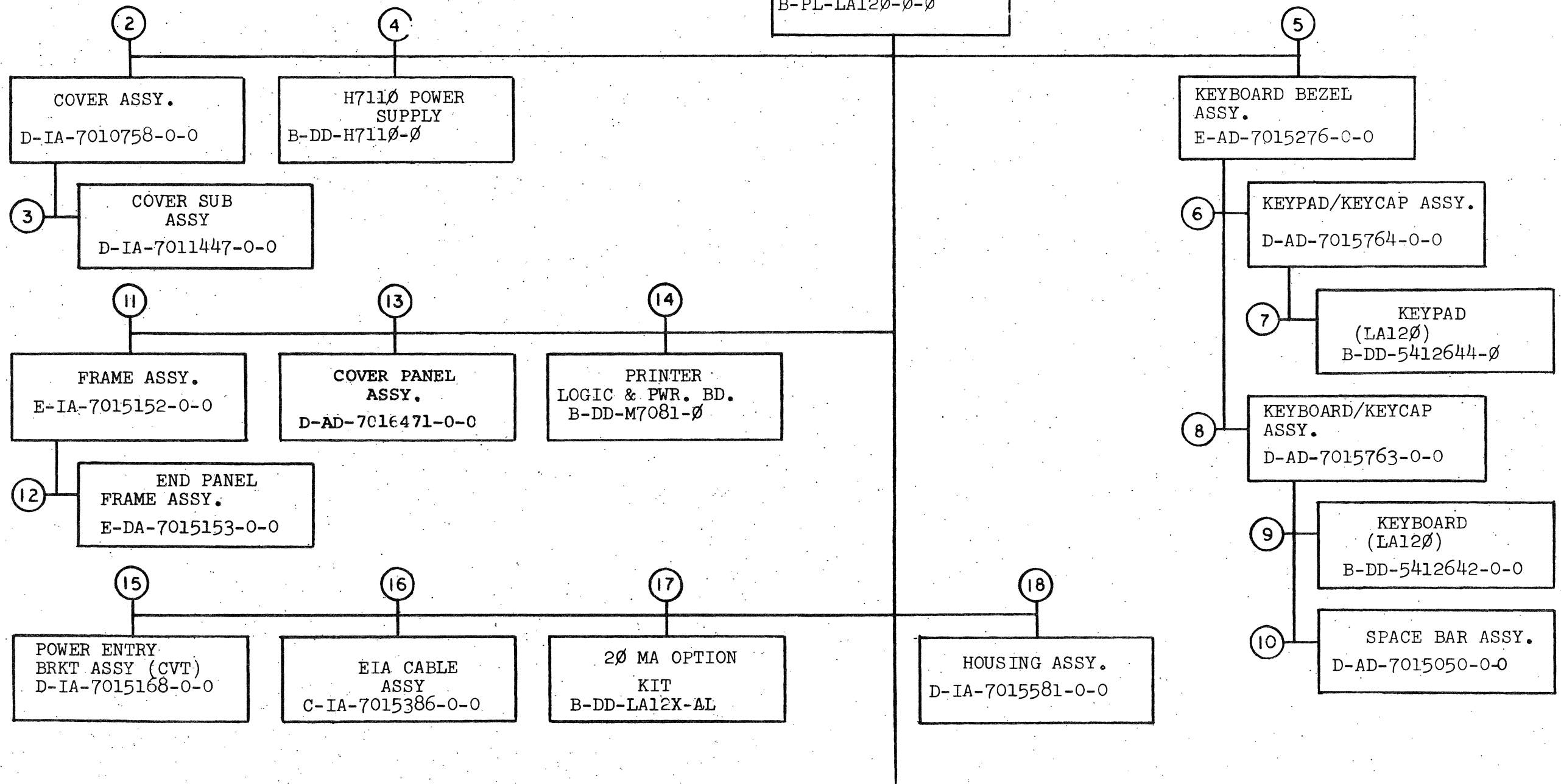
SIZE CODE
B DD

NUMBER
LA12X-AL

REV
A

"THIS DRAWING AND SPECIFICATIONS, HEREIN, ARE THE PROPERTY OF DIGITAL EQUIPMENT CORPORATION AND SHALL NOT BE REPRODUCED OR COPIED OR USED IN WHOLE OR IN PART AS THE BASIS FOR THE MANUFACTURE OR SALE OF ITEMS WITHOUT WRITTEN PERMISSION. 1978
 COPYRIGHT © DIGITAL EQUIPMENT CORPORATION"

1
 LA120 UNIT ASSY.
 E-UA-LA120-0-0
 B-PL-LA120-0-0



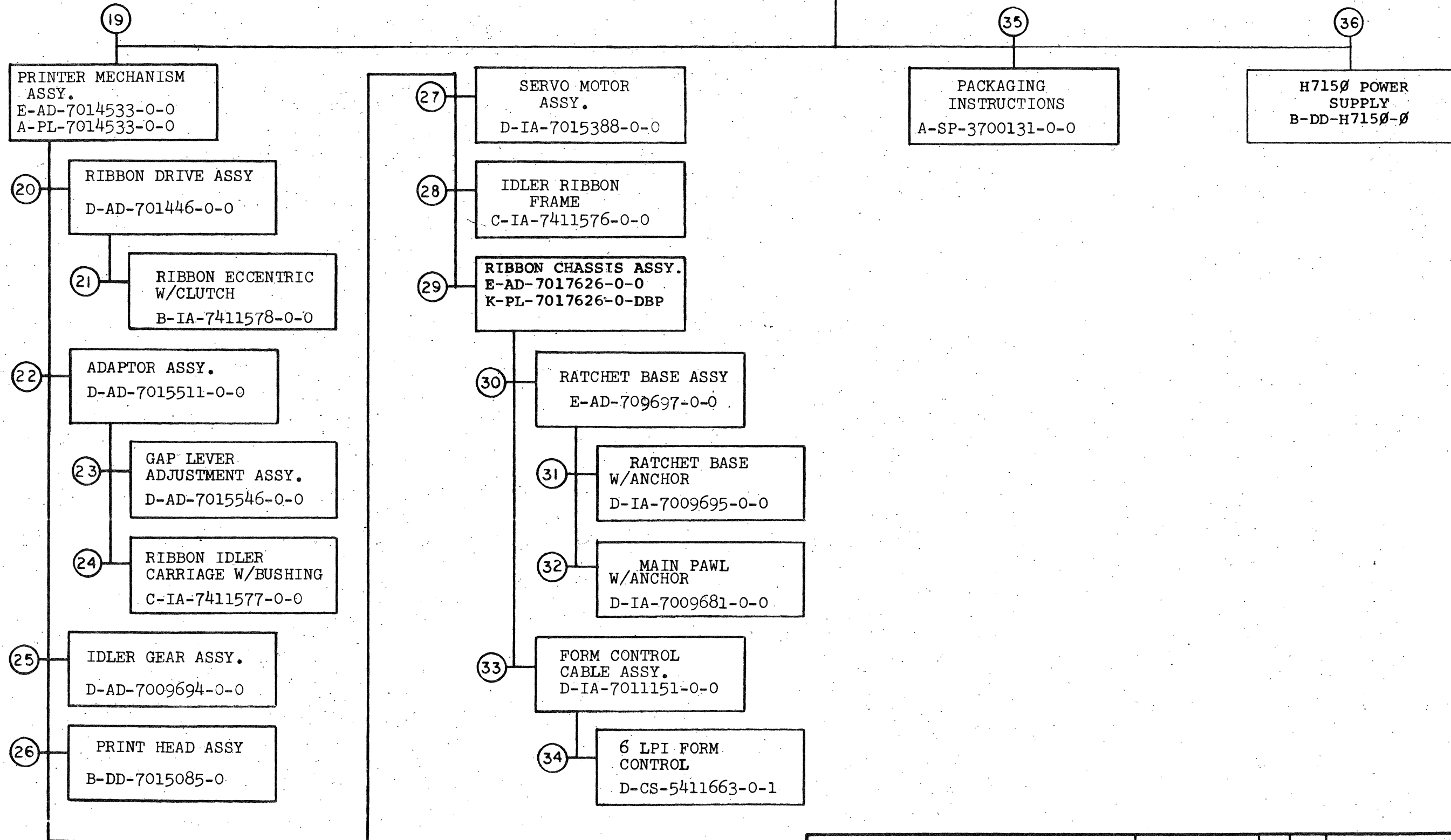
CONTINUED ON SHEET 3

TITLE	LA120 UNIT ASSY	SHEET 2 OF 7	SIZE CODE	B DD	NUMBER	LA120-0	REV	F
-------	-----------------	--------------	-----------	------	--------	---------	-----	---

"THIS DRAWING AND SPECIFICATIONS, HEREIN, ARE THE PROPERTY OF DIGITAL EQUIPMENT CORPORATION AND SHALL NOT BE REPRODUCED OR COPIED OR USED IN WHOLE OR IN PART AS THE BASIS FOR THE MANUFACTURE OR SALE OF ITEMS WITHOUT WRITTEN PERMISSION. 1978
 COPYRIGHT © DIGITAL EQUIPMENT CORPORATION"

CONTINUED FROM SHEET 2

REV	NUMBER	SIZE	CODE
F	LA120-0	B	DD



TITLE	LA120 UNIT ASSY	SIZE CODE	NUMBER	REV
		B DD	LA120-0	F
SHEET 3 OF 7				

FIND NO.	DRAWING NO.	DESCRIPTION	TYPE	FIND NO.	DRAWING NO.	DESCRIPTION	TYPE
				6	D-AD-7015764-0-0	KEYPAD/KEYCAP ASSY.	E/M
					D-PS-1214333-0-0	KEY CAPS (NUMBERS)	M
					D-PS-1214332-0-0	ADAPTOR, KEY CAPS	M
	E-UA-LA120-0-0	LA120 UNIT ASSY.	E/M				
	B-PL-LA120-0-0	LA120 UNIT ASSY. (PL)	E/M				
	B-DD-LA120-0-2	LA120 BLOCK DIAGRAM	E				
	D-IA-7015408-0-0	HARNESS, LOGIC POWER	E/M				
	C-IA-7015552-0-0	GROUND WIRE - POWER SUPPLY CHASSIS	E/M				
	A-PS-1700107-0-0	HEAD CABLE ASSY.	E/M	7	B-DD-5412644-0	KEYPAD (LA120)	E/M
	D-IA-7412158-0-0	PAPER GUIDE	M				
	C-MD-7412424-0-0	SWITCH, FORMS REWORK	M				
	E-IA-7015387-0-0	SWITCHES, HARNESS ASSY.	E/M				
	A-PS-1700083-0-0	POWER CORD	E/M				
	A-DC-7412197-0-0	DECAL, U.L.	M	8	D-AD-7015763-0-0	KEYBOARD/KEYCAP ASSY.	E/M
	A-PS-1700107-0-0	HEAD CABLE ASSY.	E/M		C-MD-7420120-0-0	CLIP, EQUALIZER	M
	D-BD-LA120-0-4	BLOCK DIAGRAM (115-230V 50-60 HZ)	E		D-PS-1214333-0-0	KEYCAPS SET	M
					D-PS-1214352-0-0	ADAPTOR KEYCAP	M
				9	B-DD-5412642-0	KEYBOARD (LA120)	E/M
				10	D-AD-7015050-0-0	SPACE BAR ASSY.	M
					B-MD-7420119-0-0	BRACKET, SPACE BAR	M
					E-PS-1211857-0-0	BAR, SPACE	M
2	D-IA-7010758-0-0	COVER ASSY.	M		C-PS-1211858-0-0	BAR, EQUALIZER	M
	C-MD-7411818-0-0	CLIP, COVER	M		D-PS-1211860-0-0	ADAPTOR, KEYCAP SET	M
3	D-IA-7011447-0-0	COVER, SUB ASSY.	M	11	E-IA-7015152-0-0	FRAME ASSY.	M
	E-MD-7411122-0-0	COVER	M		E-IA-7420117-0-0	BASE	M
					B-MD-7420217-0-0	BRACKET, FAN MOUNTING	M
					C-MD-7420218-0-0	PANEL, SHIELDING	M
					E-IA-7420116-0-0	HOUSING, COMPONENT	M
4	B-DD-H7110-0	H7110 POWER SUPPLY	E/M				
5	E-AD-7015276-0-0	KEYBOARD BEZEL ASSY.	E/M	12	E-DA-7015153-0-0	END PANEL FRAME ASSY.	M
	E-PS-1214563-0-0	BEZEL, KEYBOARD	M		C-IA-7411117-0-0	FOOT FRAME ASSY.	M
	D-PS-1215053-0-0	CLOSURE OPTIONS	M				

TYPE: E ELECTRICAL
M MECHANICAL
E/M ELECTRO/MECHANICAL



TITLE
LA120 UNIT ASSY.

SHEET 4 OF 7

SIZE CODE
B DD

NUMBER
LA120-0

REV
F

FIND NO.	DRAWING NO.	DESCRIPTION	TYPE	FIND NO.	DRAWING NO.	DESCRIPTION	TYPE
22	D-AD-7015511-0-0	ADAPTER ASSY.	M	29	E-AD-7017626-0-0	RIBBON CHASSIS ASSY.	M
	E-MD-7420634-0-0	ADAPTER	M		D-IA-7417870-0-0	CHASSIS, RIBBON	M
	B-MD-7420293-0-0	SPRING, FRONT BEARING	M		C-MD-7411090-0-0	SPRING, MAIN PAWL	M
	B-MD-7420641-0-0	SPRING CARRIAGE	M		C-MD-7411105-0-0	SPRING, UPPER PAWL	M
	B-MD-7411115-0-0	SHAFT, IDLER CARRIAGE	M		D-MD-7411048-0-0	DRIVER SPOOL	M
					D-MD-7411432-0-0	RATCHET, WHEEL	M
					B-IA-7411405-0-0	DISK, FRICTION	M
					B-MD-7411098-0-0	COLLAR, SIDE PLATE	M
					B-MD-7411103-0-0	PIVOT, RATCHET	M
23	D-AD-7015546-0-0	GAP LEVER ADJUSTMENT ASSY.	M		B-MD-7411061-0-0	WASHER, RATCHET	M
	C-MD-7420633-0-0	BEARING TUBE (EXTRUDED)	M		D-MD-7411058-0-0	INTERPOSER	M
	B-MD-7420422-0-0	BEARING	M		C-MD-7411419-0-0	GUIDE SHOE	M
	D-MD-7420736-0-0	LEVER, GAP ADJUSTMENT	M		D-MD-7411060-0-0	SENSOR, REVERSE	M
	B-MD-7420605-0-0	RESERVOIR, OIL	M		C-MD-7411087-0-0	SPRING, INTERPOSER	M
					B-MD-7412976-0-0	CAP, STAND OFF-SPOOL	E/M
					C-IA-7012781-0-0	SWITCH, ROTARY ASSY.	M
					C-MD-7418875-0-0	PLATE, SWITCH	M
					C-MD-7412977-0-0	STANDOFF, SPOOL RIBBON	M
24	C-IA-7411577-0-0	RIBBON IDLER CARRIAGE W/BUSHING	M		B-MD-7416620-0-0	RETAINING LINE, SPECIAL	M
	C-MD-7411102-0-0	IDLER, CARRIAGE RIBBON	M		D-IA-7011151-0-0	FORM CONTROL CABLE ASSY.	M
					A-DC-7412552-0-0	LABEL VFO SWITCH	M
					A-DC-7416535-0-0	DECAL PARITY SWITCH	M
					D-MD-7424154-0-0	RIBBON TENSION SPRING	
					E-MD-7424155-0-0	SPRING RETAINING BRACKET	
25	D-AD-7009694-0-0	IDLER GEAR ASSY.	M	30	E-AD-7009697-0-0	RATCHET BASE ASSY.	M
	B-MD-7411420-0-0	BRACKET, GEAR	M		D-MD-7411054-0-0	RATCHET, UPPER BASE	M
	C-MD-7416219-0-0	STAND OFF GEAR	M		B-MD-7411063-0-0	PAWL, PIVOT	M
26	B-DD-7015085-0	PRINT HEAD ASSY.	E/M				
27	D-IA-7015388-0-0	SERVO MOTOR ASSY.	E/M	31	C-IA-7009695-0-0	RATCHET BASE W/ANCHOR	M
	D-MD-7416402-0-0	CLAMP, PULLEY	M		D-MD-7411055-0-0	BASE, RATCHET	M
					B-MD-7411104-0-0	ANCHOR, SPRING	M
28	C-IA-7011576-0-0	IDLER, RIBBON FRAME	M	32	D-IA-7009681-0-0	MAIN PAWL W/ANCHOR	M
	D-MD-7411085-0-0	IDLER, FRAME RIBBON	M		D-MD-7411059-0-0	PAWL, MAIN	M
					B-MD-7411104-0-0	ANCHOR, SPRING	M

TYPE: E ELECTRICAL
M MECHANICAL
E/M ELECTRO/MECHANICAL

digital

TITLE LA12Ø UNIT ASSY.

SHEET 6 OF 7

SIZE B DD

NUMBER LA12Ø-Ø

REV F

214

FIND NO.	DRAWING NO.	DESCRIPTION	TYPE	FIND NO.	DRAWING NO.	DESCRIPTION	TYPE
33	D-IA-7011151-0-0	FORM CONTROL CABLE ASSY.	E/M				
34	D-CS-5411663-0-1	6 LPI FORM CONTROL	E/M				
35	A-SP-3700131-00	PACKAGING INSTRUCTIONS	M				
	A-PS-9905651-0-0	SKID, WOOD	M				
	A-PS-9905601-00	TUBE, STITCHED	M				
	A-PS-9905639-0-0	PAD WITH FORM (LA36/LA35 ONLY)	M				
	A-PS-9905651-01	BRACE, WOOD	M				
	9009290-03	BOLT, HEX-HEAD 3/8-16 x 3	M				
	A-PS-3612520-0-0	TAG, CAUTION	M				
	A-PS-9009634-0-0	TAPE, STAIN RESISTANT	M				
	A-PS-9007032-0-0	TIE, CABLE PANDUIT	M				
	A-PS-9905734-02	STRAPPING, POLYPROPYLENE	M				
	A-PS-9008319-0-0	WASHER, FLAT	M				
	A-PS-9905129-33	BAG, POLY	M				
36	B-DD-H715Ø-Ø	H715Ø POWER SUPPLY	E/M				

TYPE: E ELECTRICAL
M MECHANICAL
E/M ELECTRO/MECHANICAL



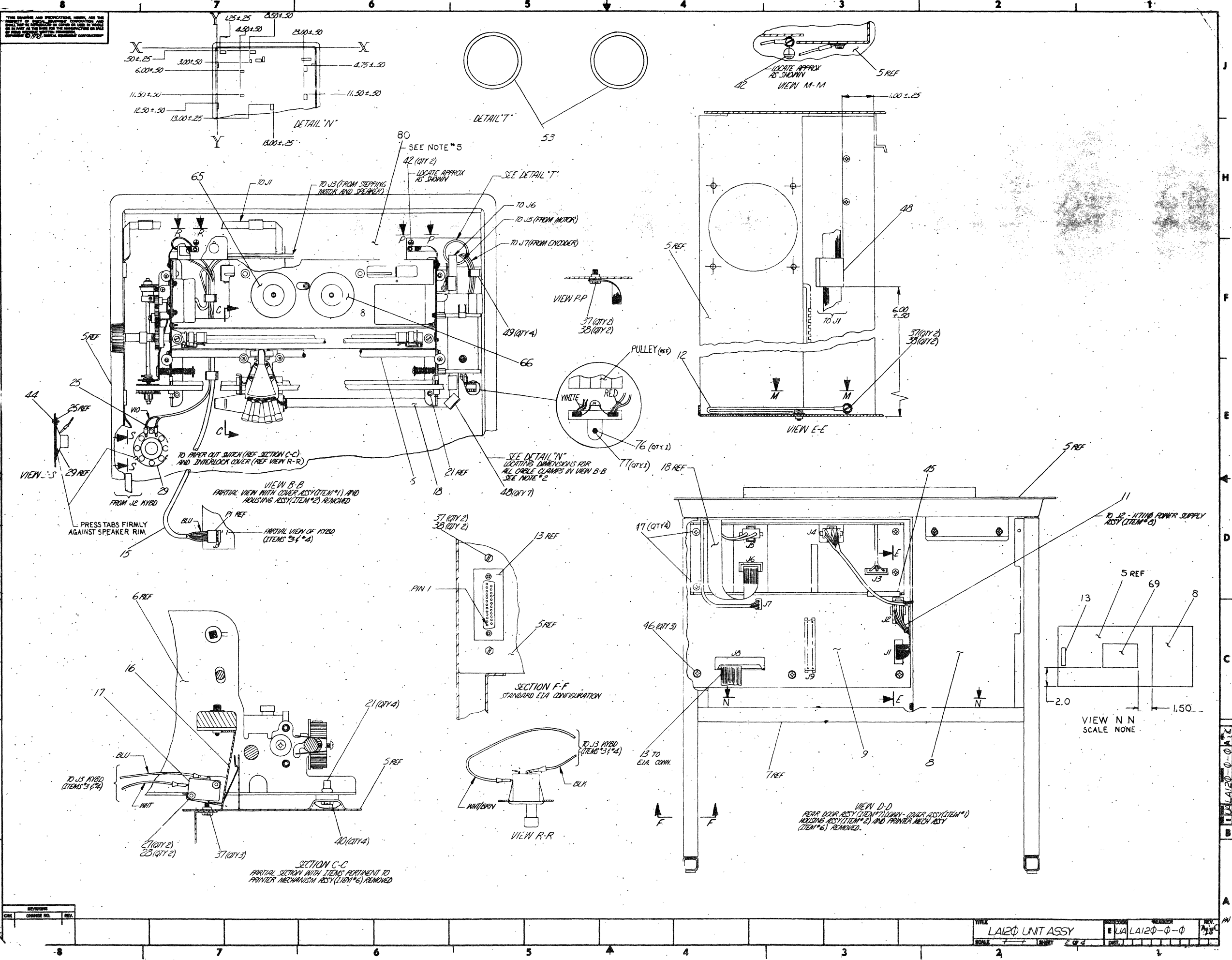
TITLE LA12Ø UNIT ASSY.

SHEET 7 OF 7

SIZE CODE
B DD

NUMBER
LA12Ø - Ø

REV
F

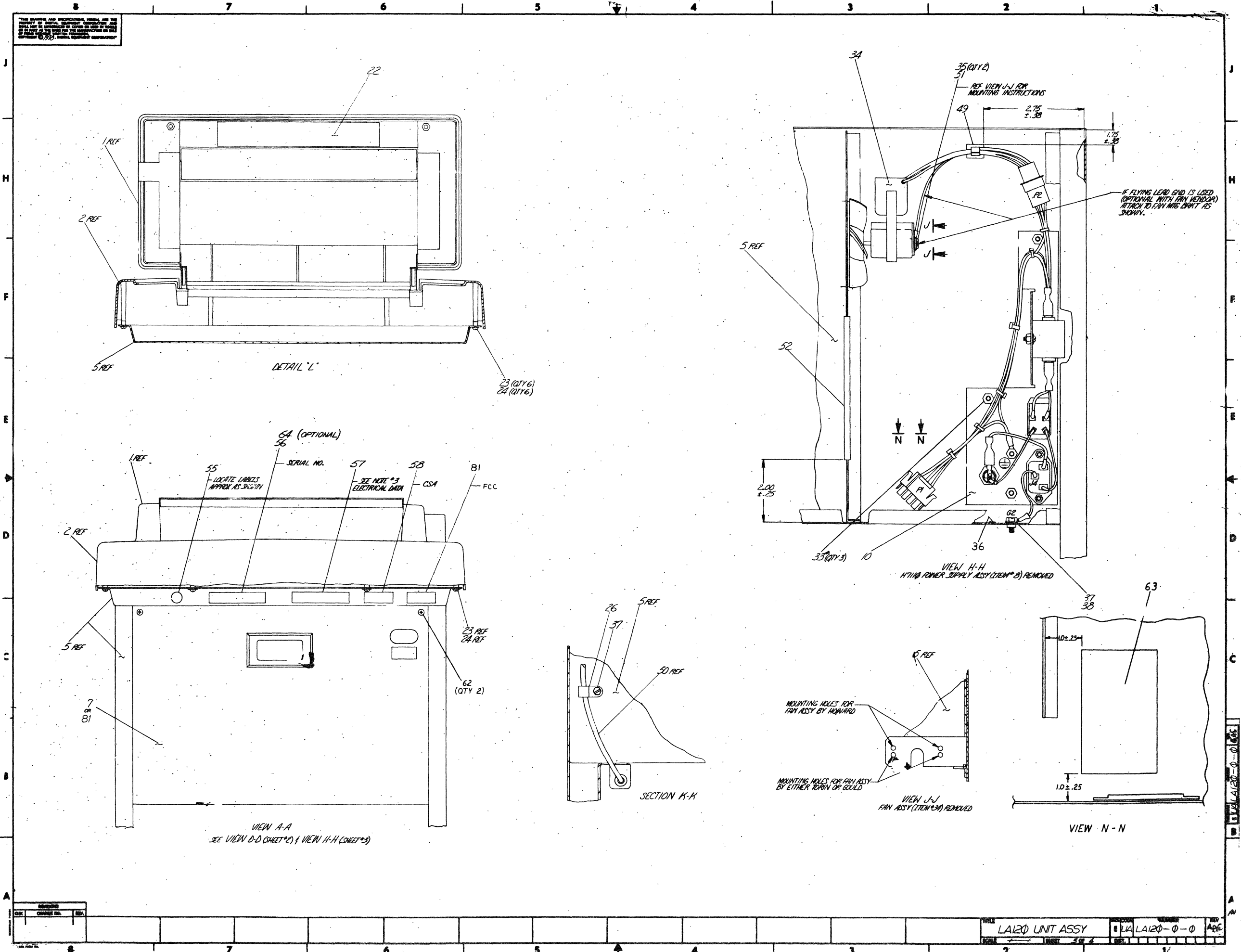


THE DIMENSIONS AND SPECIFICATIONS HEREIN ARE THE PROPERTY OF INTERNATIONAL BUSINESS MACHINES CORPORATION AND WILL BE KEPT IN CONFIDENCE TO THE EXTENT PERMITTED BY LAW. NO PART OF THIS DRAWING IS TO BE REPRODUCED OR TRANSMITTED IN ANY FORM OR BY ANY MEANS, ELECTRONIC OR MECHANICAL, INCLUDING PHOTOCOPYING, RECORDING, OR BY ANY INFORMATION STORAGE AND RETRIEVAL SYSTEM.

REV.	CHANGE NO.	DATE

TITLE	LA120 UNIT ASSY	REV.	2 OF 2
SCALE	1:1	DATE	
DESIGNER		APPROVED	
DRAWN			

THE DRAWING AND INFORMATION HEREON ARE THE PROPERTY OF THE UNITED STATES GOVERNMENT AND SHALL NOT BE REPRODUCED OR TRANSMITTED IN ANY FORM OR BY ANY MEANS, ELECTRONIC OR MECHANICAL, INCLUDING PHOTOCOPYING, RECORDING, OR BY ANY INFORMATION STORAGE AND RETRIEVAL SYSTEM, WITHOUT PERMISSION IN WRITING FROM THE ASSISTANT SECRETARY OF DEFENSE (ASST SECDEF).

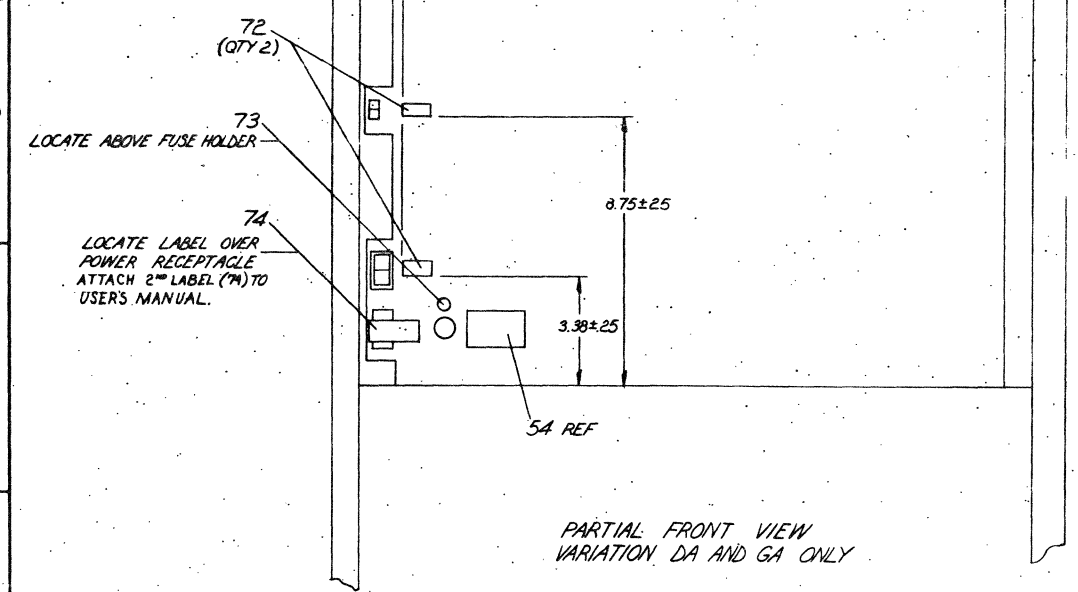
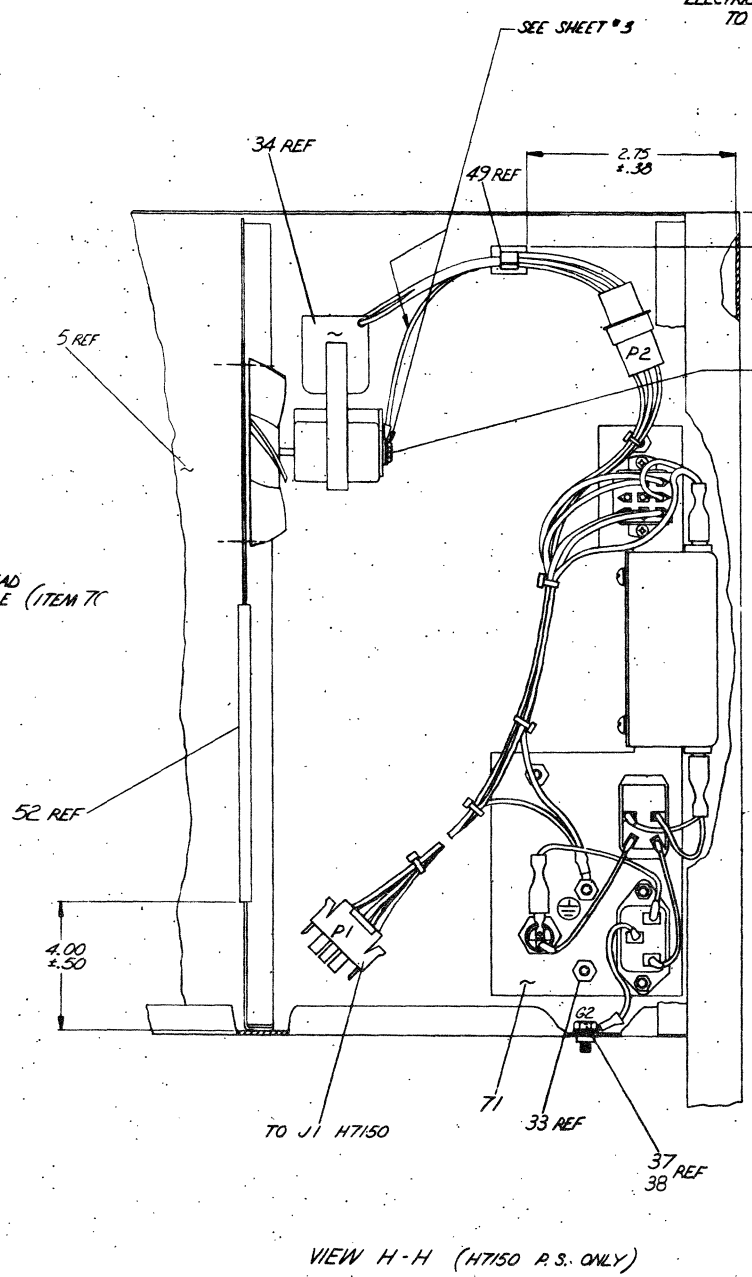
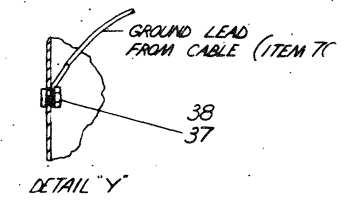
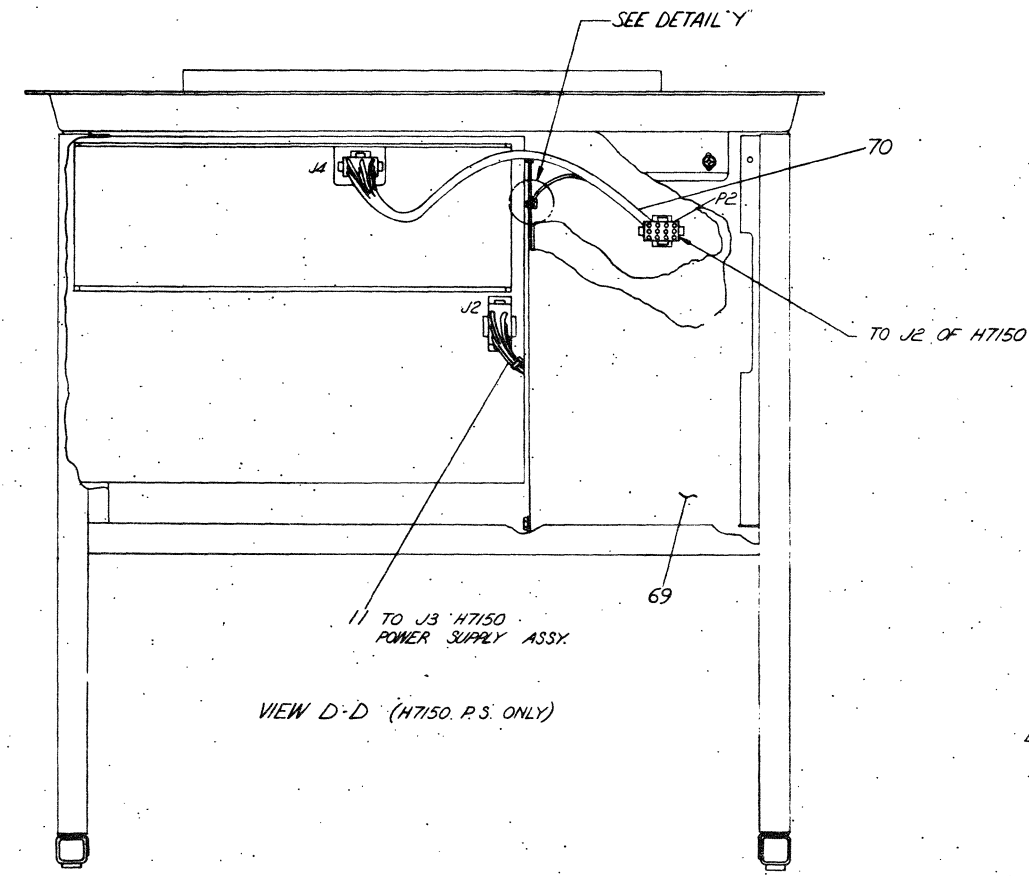


REV	DATE	BY	CHKD

THE SERVICE AND REPAIRS, WHEN ASSEMBLED, SHALL BE SUBJECT TO THE APPROVAL OF THE MANUFACTURER'S REPRESENTATIVE. THE USER SHALL BE RESPONSIBLE FOR THE PROPER MAINTENANCE OF THE EQUIPMENT.

ELECTRICAL DATA LABEL (ITEM 57) TO BE PREPRINTED WITH THE FOLLOWING INFORMATION

MODEL	VOLTS	AMPS	NZ	PH	WIRES
LA120	115	6	50	20	7 3
DA	230	3	50	20	7 3
LA120	115	6	50	20	7 3
GA	230	3	50	20	7 3



REV	DESCRIPTION	DATE

LINE	ITEM	DOCUMENT NUMBER	PART NUMBER	DESCRIPTION	QUANTITY PER VARIATION				
					AA	BA	DA	GA	RE
1	1	D-IA-7010758-0-0	7010758-00	COVER ASSY DOC LA180/120	1	1	1	1	1
2	2	D-IA-7015581-0-0	7015581-00	HOUSING ASSY, LA120	1	1	1	1	1
3	3	E-AD-7015276-0-0	7015276-00	KEYBOARD BEZEL ASSY	1	-	-	1	-
4	4	E-AD-7015276-0-0	7015276-01	KEYBOARD BEZEL	-	1	1	-	-
5	5	E-IA-7015152-0-0	7015152-00	FRAME ASSY	1	1	1	1	1
6	6	E-AD-7014533-0-0	7014533-00	PRINTER MECHANISM LA120	1	1	1	1	1
7	7	D-AD-7016471-0-0	7016471-00	DOOR, LA120	1	1	-	-	1
8	8	E-UA-H7110-0-0	H7110-00	LA120 PS, 115/230VAC	1	1	-	-	1
9	9	E-UA-M7081-0-0	M7081-00	PRINTER LOGIC AND POWER BOARD	1	1	1	1	1
10	10	D-IA-7015168-0-0	7015168-00	POWER ENTRY BRKT ASSY (CV)	1	1	-	-	1
11	11	D-IA-7015408-0-0	7015408-00	LOGIC POWER CABLE ASSY	1	1	1	1	1
12	12	C-IA-7015552-0-0	7015552-00	WIRE, GROUND PWR SUPPLY CHASSIS	1	1	1	1	1
13	13	C-IA-7015386-0-0	7015386-0J	EIA CABLE (LA120)	1	1	1	1	1
14	14	A-SP-3700131-0-0	3700131-00	PACKAGING INSTRUCTIONS DECWRITER	1	1	1	1	1
15	15	E-IA-7015387-0-0	7015387-00	SWITCHES HARNESS ASSY	1	1	1	1	1
16	16	D-IA-7412158-0-0	7412158-00	GUIDE PAPER (LA180-P)	1	1	1	1	1
17	17	B-MD-7412424-0-0	7412424-00	PAPER OUT SWITCH	1	1	1	1	1
18	18		1700107-01	CABLE, ASSY, 24 COND. 16POS	1	1	1	1	1
19	19		1211067-02	TUBING CLOSURE ID=15GAUGE	4	4	4	4	4
20	20		9009685-00	FOOT, LEVELER, 1-7/16 LG.	4	4	4	4	4
21	21		9008896-00	NUT, WELL 10-32 BR IN	4	4	4	4	4
22	22		7416178-00	DECAL (LA180)	1	1	1	1	1
23	23		9009630-01	SCREW, TAPPING, TYPE BF, PAN, PHIL,	6	6	6	6	6
24	24		9006653-00	WASHER, FLAT, .375 O.D. X .156 I	6	6	6	6	6
25	25		9009301-00	NUT, SPEED, 6-32X.44LGX.28WIDE X	1	1	1	1	1
26	26		9007082-00	CLAMP, CABLE, SCREW HTD. 5/16"	1	1	1	1	1
27	27		9008033-01	SCREW, PAN, PHIL 4-40X 9/16 SS	2	2	2	2	2
28	28		9006557-00	NUT, KEP, 4-40X 1/4 AF	3	3	3	3	3
29	29		1215050-00	SPEAKER, 2.5" DIA, 8OHM, ROUND	1	1	1	1	1
30	30	A-EK-LA120-R-G		REF. CARD, OPERATOR LA120	1	1	1	1	1

REVISION HISTORY			BASIC PART NO: LA120		DRN:	D. BRIDGERS	DATE: 11-JAN-80	DIGITAL			
ENG	ECO NUMBER	REV	SECTION A OF A	SECTION. VARIATION INDEX	CHK'D:	L. GILBERT	DATE: 11-JAN-80	TITLE PARTS LIST			
JB	LA120-PN133	U	[A]	AA, BA, DA, GA, RE				LA120 UNIT ASSY			
JB	LA120-PN134	V									
JB	LA120-PN135	W	[B]		DES. ENG.:	H. RASMUSEN	DATE: 07-JUL-78				
EK	LA120-PN137	Y									
JB	LA120-PN138	Z	[C]		RESP. ENG.:	P. NELSON	DATE: 07-JUL-78	DOCUMENT NUMBER			
JB	LA120-PN139	AA									
JB	LA120-PN140	AB	[D]					SIZE	CODE	NUMBER	REV
EK	LA120-PN141	AC		[E]	MFG. ENG.:	J. JOYCE	DATE: 07-JUL-78	K	PL	LA120-0-DBP	AC
				[F]	ASSEMBLY NUMBER:		TOP DOCUMENT NUMBER:	FILE NAME:		EDIT #:	
					E-UA-LA120-0-0		B-DD-LA120-0-0	Z120AC.PLS		17	

"THIS DRAWING AND SPECIFICATIONS HEREIN, ARE THE PROPERTY OF DIGITAL EQUIPMENT CORPORATION AND SHALL NOT BE REPRODUCED OR COPIED OR USED IN WHOLE OR IN PART AS THE BASIS FOR THE MANUFACTURE OR SALE OF ITEMS WITHOUT WRITTEN PERMISSION.

COPYRIGHT (C) 1981. DIGITAL EQUIPMENT CORPORATION "

LINE	ITEM	DOCUMENT NUMBER	PART NUMBER	DESCRIPTION	QUANTITY PER VARIATION				
					AA	BA	DA	GA	RE
31	31		9006453-00	SCREW,HEX,SLOT,SEMS 6-32X .375L	4	4	4	4	4
32	32	A-EK-LA120-U-G		GUIDE,USER LA120	1	1	1	1	1
33	33		9006563-00	NUT,KEP , 8-32 X11/32AF	3	3	3	3	3
34	34		1212581-00	FAN, 35CFM,115VAC,3"DIA	1	1	1	1	1
35	35		9009985-00	SCREW,HEX,SLOT,SEMS 10-32X .312L	2	2	2	2	2
36	36		3612680-03	DECAL, GROUND SIGN W/CIRCLE,WHT	1	1	1	1	1
37	37		9009988-08	SCREW, SEMS,SLOTTED HEX HD 8-32	12	12	12	12	12
38	38		9008072-00	WASHER, LOCK, EXTERNAL TOOTH #8	8	8	8	8	8
39	39	D-IA-7016747-0-0	7016747-02	ASSY.KEYBOARD COVER CHARCOAL DEC	-	-	-	-	1
40	40		9009988-04	SCREW, SEMS, SLOTTED HEX HD 10-	4	4	4	4	4
41	41	D-UA-5414001-0-0	5414001-00	LA120 KEYBOARD TERMINATOR	-	-	-	-	1
42	42		3612680-01	DECAL, GROUND SIGN PER 3S6 *	3	3	3	3	3
43	43		1214563-00	BEZEL,PLASTIC MOLDED FOR KEYBD A	-	-	-	-	1
44	44		9006020-01	SCREW,PAN,PHIL 6-32X 1/4 SS	1	1	1	1	1
45	45		9009718-02	GROMMET, EXTRUDED, 2-3/4 LONG	1	1	-	-	1
46	46		9009988-12	SCREW,SEMS,SLOT,HEX HD 6-32X .2	3	3	3	3	3
47	47		9009988-13	SCREW,SEMS,SLOT,HEX HD 6-32X .4	4	4	4	4	4
48	48		9009636-00	CLAMP, CABLE, FOR FLAT CABLE	8	8	8	8	8
49	49		9008340-00	CLIP,PVC HARNESS, DESKLASP,1/2"W	4	4	4	4	4
50	50		1700083-07	PWR CORD,TERM, 75IN,16-3,125V 13	1	1	1	1	1
51	51		9007651-00	WASHER, LOCK, EXTERNAL TOOTH #10	1	1	1	1	1
52	52		9009718-04	GROMMET, EXTRUDED, 5.5LONG	1	1	1	1	1
53	53		9000021-02	BUSHING,SNAP,NYLON 2 M6THOLE	2	2	2	2	2
54	54		3615811-00	LABEL,FUSE WARNING,BLACK FOR LA1	1	1	1	1	1
55	55	A-DC-7416197-0-0	7416197-02	DECAL-UL LISTED EDP	1	1	1	1	1
56	56		3613210-02	LABEL,ELECTRICAL DATA	1	1	1	1	1
57	57		3613210-01	LABEL,ELECTRICAL DATA	1	1	1	1	1
58	58		3613211-00	DECAL,CLEAR PREPRINTED CSA 1-1/4	1	1	1	1	1
59	59		3615918-00	LABEL,SET UP COMMAND,LA120	1	1	1	1	-
60	60		9000096-00	*** THIS ITEM IS NOT USED ***	-	-	-	-	-
61	61		9007834-00	TAPE, DOUBLE COATED, 1/2" WIDE,	1	1	1	1	1
62	62		9009683-01	SCREW, HEX WASHER HD. 8-32X3/8	2	2	2	2	2
63	63		1212461-00	FOAM,ACOUSTIC,ADH BACK,3.0X4.5X.	1	1	1	1	-
64	64	A-SP-3613209-0-0	3613209-00	*** THIS ITEM IS NOT USED ***	-	-	-	-	-
65	65		3612153-00	RIBBON,PRINTER .500"X60"LA180 NY	-	1	1	-	1
66	66		1212008-00	SPOOL,PRINTER RIBBON,LA180,3.75"	1	1	1	1	1
67	67		7412103-00	PAPER PRPKG 132 COL 147/8W-11LG	-	1	1	-	1
68	68		9905129-03	/REPLACED-BY 99-05128-36 HK	1	1	1	1	1
69	69		3616786-00	LABEL,ECO STATUS FOR LA120	1	1	1	1	1
70	70	E-UA-H7150-0-0	H7150-00	_A120 PS: +24V 2.4A,-24V 2.8A,+5	-	-	1	1	-
71	71	D-IA-7016537-0-0	7016537-00	CABLE ASSY POWER SUPPLY (POWER)	-	-	1	1	-
72	72	D-IA-7016530-0-0	7016530-00	POWER ENTRY ASSY "SWITCHER"	-	-	1	1	-
73	73		3615759-00	LABEL,VOLTAGE SETTING FOR VT100	-	-	2	2	-
74	74		3616040-00	LABEL,250V 5A FOR LA120	-	-	2	2	-
75	75		3616157-00	LABEL,CORRECT VOLTAGE SETTING,CA	-	-	1	1	-
76	76		9009643-00	SCREW,PAN,PHIL,SEMS 4-40X .375L	1	1	1	1	1
77	77	A-SP-3613209-0-0	3613209-02	*** THIS ITEM IS NOT USED ***	-	-	-	-	-
78	78	A-EK-LA120-U-G		GUIDE,USER LA120	1	1	1	1	1

14127 4112 MOORE BUSINESS FORMS, INC.

! ! ! ! ! ! ! !	TITLE	! ! ! ! ! ! ! !	! ! ! ! ! ! ! !	! ! ! ! ! ! ! !	! ! ! ! ! ! ! !	! ! ! ! ! ! ! !	! ! ! ! ! ! ! !	! ! ! ! ! ! ! !	! ! ! ! ! ! ! !
! ! ! ! ! ! ! !	LA120 UNIT ASSY	! ! ! ! ! ! ! !	SECTION A	! ! ! ! ! ! ! !	OF A	! ! ! ! ! ! ! !	! ! ! ! ! ! ! !	! ! ! ! ! ! ! !	! ! ! ! ! ! ! !
! ! ! ! ! ! ! !		! ! ! ! ! ! ! !		! ! ! ! ! ! ! !		! ! ! ! ! ! ! !	! ! ! ! ! ! ! !	! ! ! ! ! ! ! !	! ! ! ! ! ! ! !
! ! ! ! ! ! ! !		! ! ! ! ! ! ! !		! ! ! ! ! ! ! !		! ! ! ! ! ! ! !	! ! ! ! ! ! ! !	! ! ! ! ! ! ! !	! ! ! ! ! ! ! !

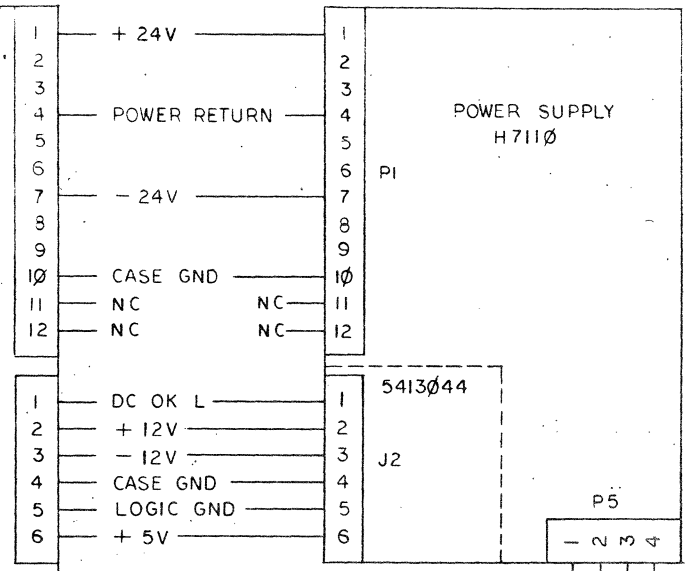
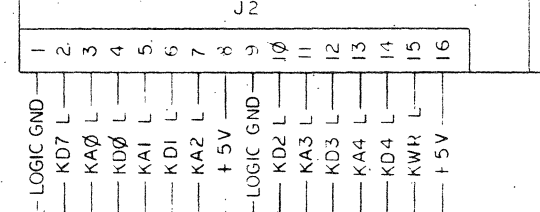
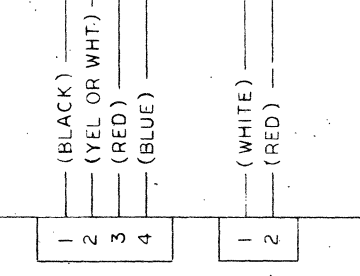
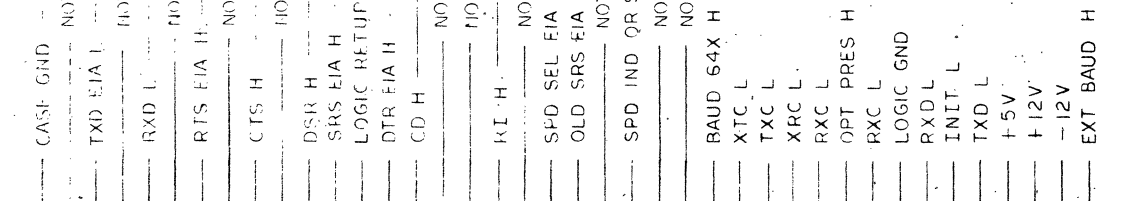
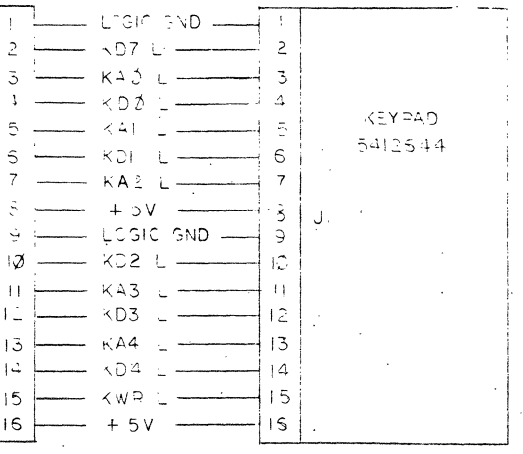
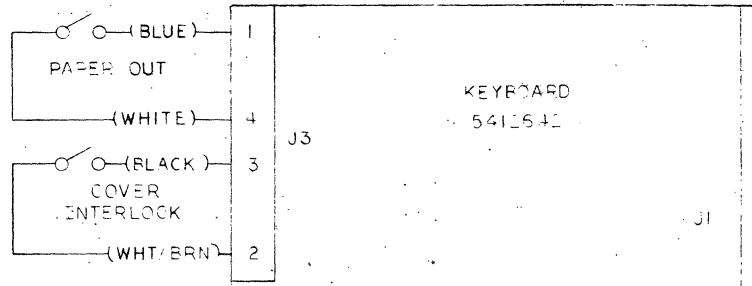
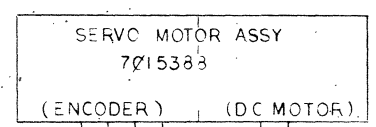
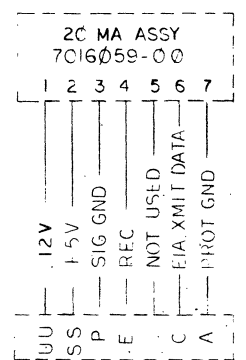
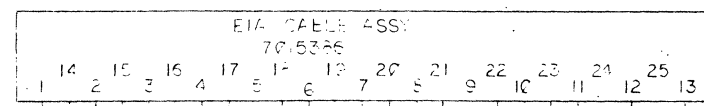
LINE	ITEM	DOCUMENT NUMBER	PART NUMBER	DESCRIPTION	QUANTITY PER VARIATION				
					AA	BA	DA	GA	RE
79	79	A-EK-LA120-R-G		REFERENCE CARD, OPERATOR LA120	1	1	1	1	1
80	80	E-MD-7423859-0-0	7423859-00	ACOUSTIC FOAM	1	1	1	1	1
81	81		3617880-03	LABEL, FCC CLASS A PERIPHERAL	1	1	1	1	1
82	82		3618307-05	ASSY, 04, 01	1	1	1	1	1
83	83		3618331-01	*** THIS ITEM IS NOT USED ***	-	-	-	-	-
84	84	D-AD-7016471-0-0	7016471-01	COVER PANEL ASSY.	-	-	1	1	-
85	85		3615285-00	LABEL, FUSE HOLDER	1	1	-	-	-

86 NOTE: 1. ITEM 64 AND ITEM 77 ARE OPTIONAL.

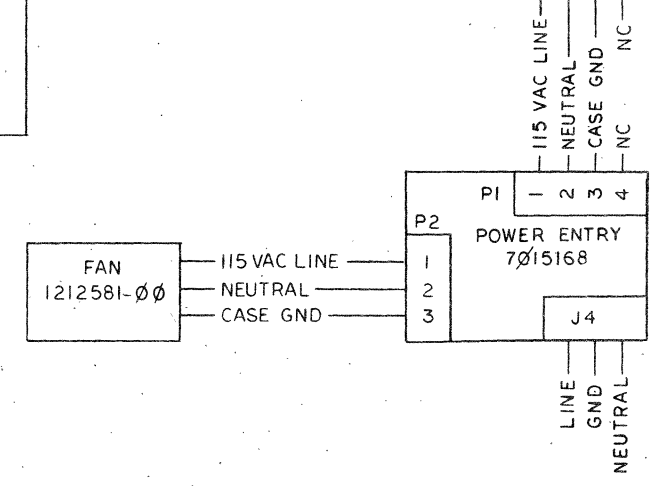
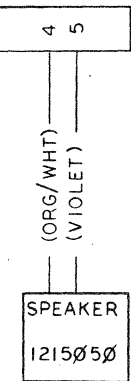
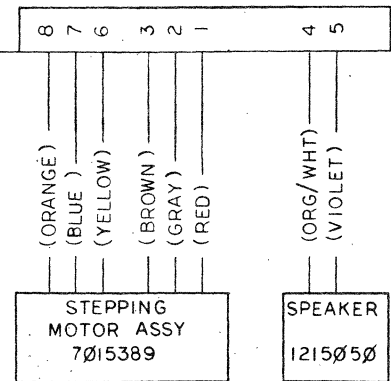
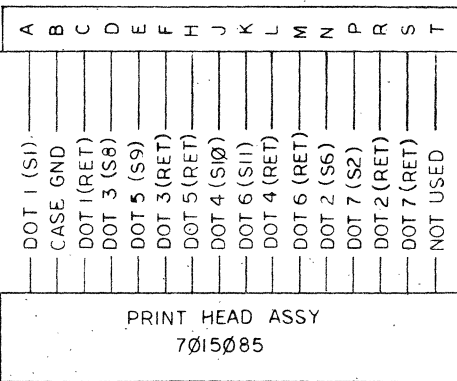
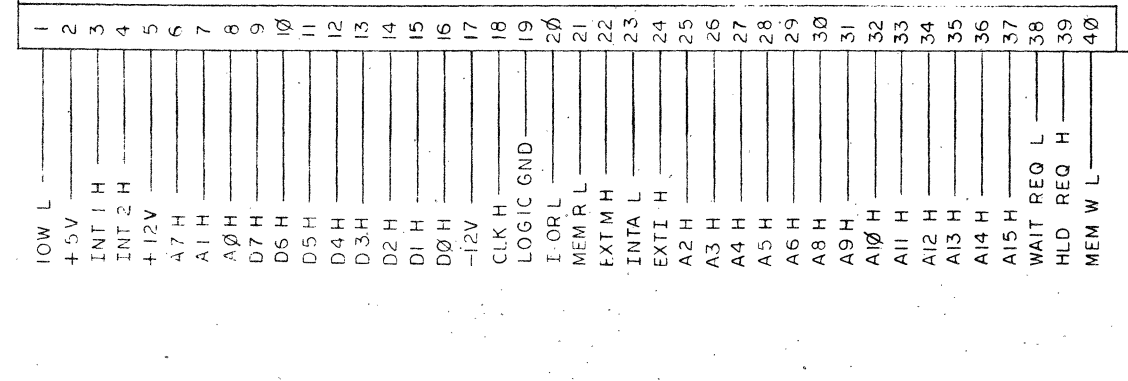
D	I	G	I	T	A	L	TITLE	SECTION A OF A	SIZE	CODE	DOCUMENT NUMBER	REV
							LA120 UNIT ASSY				LA120-0-DBP	AC
									K	PL		

"THIS DRAWING AND SPECIFICATIONS, HEREIN, ARE THE PROPERTY OF DIGITAL EQUIPMENT CORPORATION AND SHALL NOT BE REPRODUCED OR COPIED OR USED IN WHOLE OR IN PART AS THE BASIS FOR THE MANUFACTURE OR SALE OF ITEMS WITHOUT WRITTEN PERMISSION. COPYRIGHT © 1978, DIGITAL EQUIPMENT CORPORATION"

NOTE:
EIA ASSY AND 20 MA ASSY ARE INTER-CHANGABLE TO J2



PRINTER, LOGIC AND POWER BOARD
M7081-00



DRN	4-16-78	FIRST USED ON	LAI20	digital
CHK'D	5-3-78	TITLE	LAI20 BLOCK	
ENG.	7-24-78	DIAGRAM DRAWING		
PROJ. ENG.	300UN 78			
PROD.	7-24-78			
NEXT HIGHER ASSY.				
B-DD-LAI20-0	SIZE	CODE	NUMBER	REV.
SCALE	D	BD	LAI20-0-2	B
SHEET 1 OF 2	DIST.			

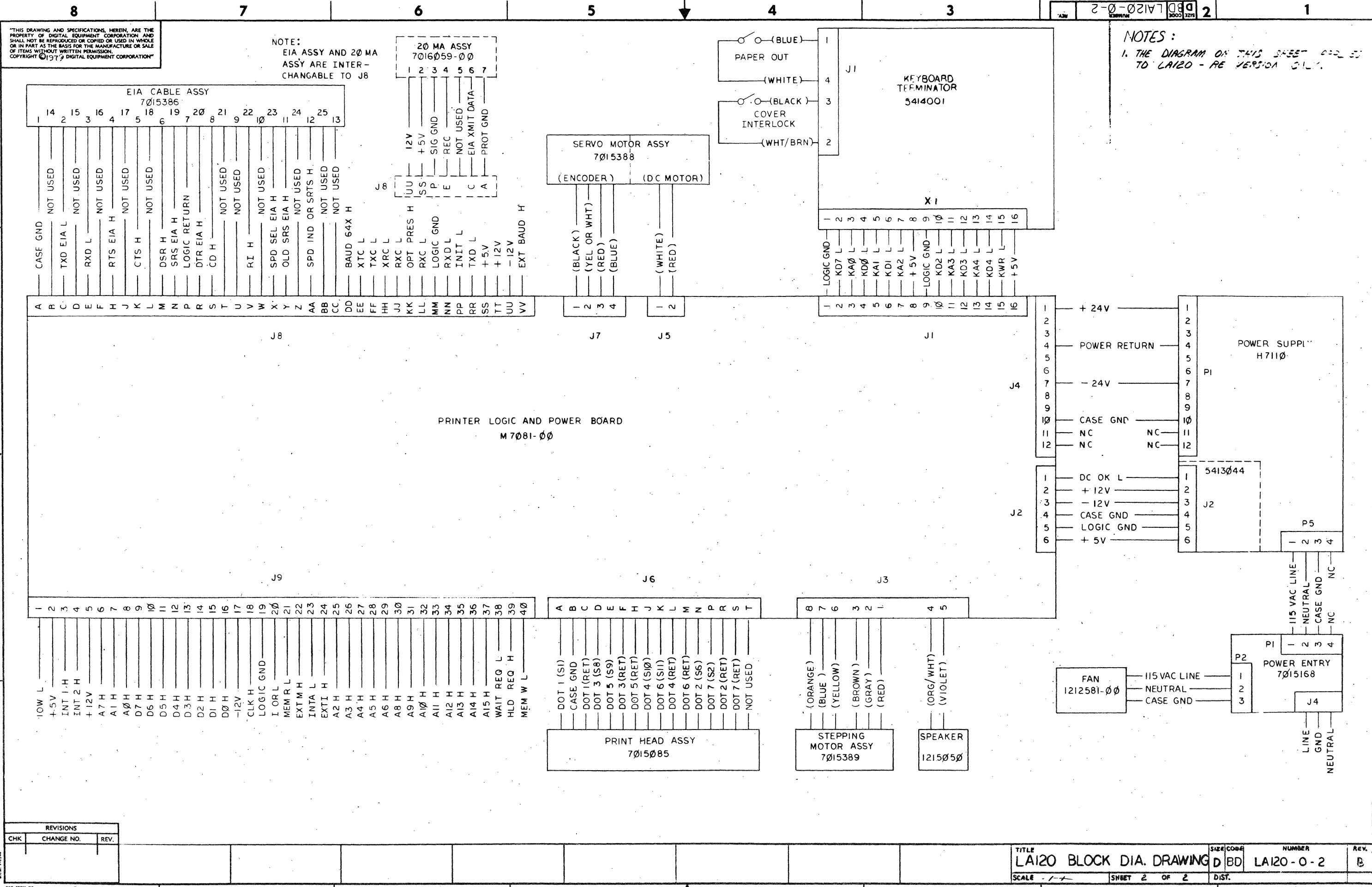
REV.	
CHANGE NO.	

REV. B
NUMBER D BD LAI20-0-2

"THIS DRAWING AND SPECIFICATIONS, HEREIN, ARE THE PROPERTY OF DIGITAL EQUIPMENT CORPORATION AND SHALL NOT BE REPRODUCED OR COPIED OR USED IN WHOLE OR IN PART AS THE BASIS FOR THE MANUFACTURE OR SALE OF ITEMS WITHOUT WRITTEN PERMISSION. COPYRIGHT © 1979 DIGITAL EQUIPMENT CORPORATION"

NOTE:
EIA ASSY AND 20 MA ASSY ARE INTER-CHANGABLE TO J8

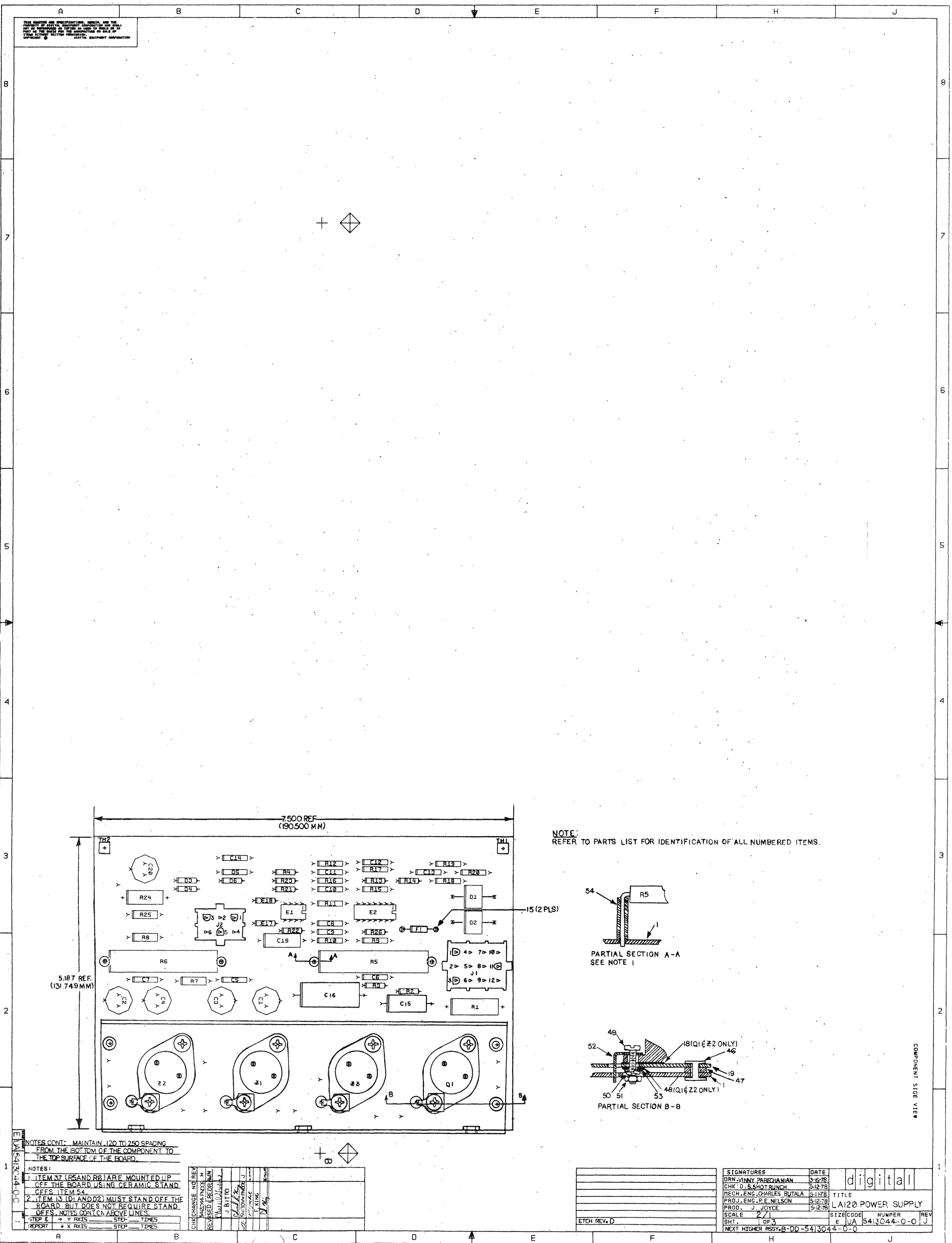
NOTES:
1. THE DIAGRAM ON THIS SHEET REFERS TO LA120 - RE VERSION ONLY.



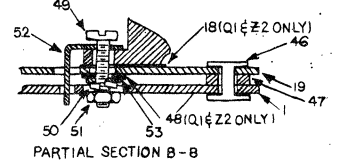
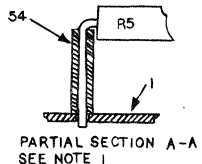
REVISIONS		
CHK	CHANGE NO.	REV.

TITLE	LA120 BLOCK DIA. DRAWING	SIZE/CODE	D BD	NUMBER	LA120-0-2	REV.	B
SCALE	1:1	SHEET	2 OF 2	DIST.			

THIS DRAWING AND SPECIFICATIONS, WHETHER AND THE PROPERTY OF DIGITAL EQUIPMENT CORPORATION, AND SHALL REMAIN THE PROPERTY OF DIGITAL EQUIPMENT CORPORATION IN ALL STATES OF THE UNITED STATES AND IN ALL COUNTRIES. NO PART OF THIS DRAWING OR SPECIFICATIONS MAY BE REPRODUCED OR TRANSMITTED IN ANY FORM OR BY ANY MEANS, ELECTRONIC OR MECHANICAL, INCLUDING PHOTOCOPYING, RECORDING, OR BY ANY INFORMATION STORAGE AND RETRIEVAL SYSTEM.



NOTE:
REFER TO PARTS LIST FOR IDENTIFICATION OF ALL NUMBERED ITEMS.



COMPONENT SIDE VIEW

NOTES CONT: MAINTAIN 120 TO 250 SPACING FROM THE BOTTOM OF THE COMPONENT TO THE TOP SURFACE OF THE BOARD.

NOTES:

- ITEMS 37 (R5 AND R6) ARE MOUNTED UP OFF THE BOARD USING CERAMIC STAND OFFS. ITEM 54.
- ITEM 13 (Q1 AND Q2) MUST STAND OFF THE BOARD, BUT DOES NOT REQUIRE STAND OFFS. NOTES CONT'N ABOVE LINES.

STEP	→	Y	AXIS	STEP	TIMES
REPORT	→	X	AXIS	STEP	TIMES

CHANGE NO	REV	DATE	BY	CHK	APP

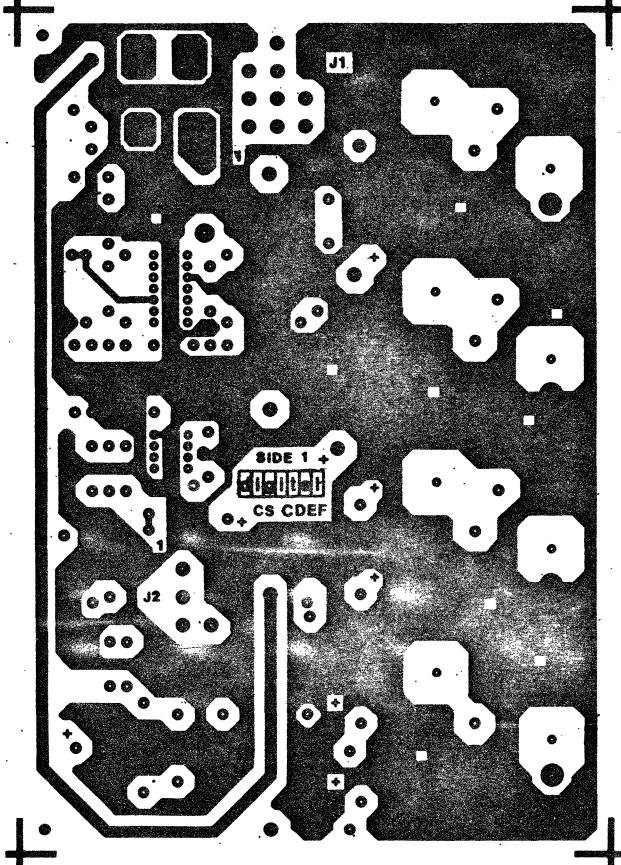
ETCH REV. D			
-------------	--	--	--

SIGNATURES	DATE	TITLE
DRN VINNY PAREKHIAN	5-16-78	
CHK D. S. SHOTRUNCH	5-12-78	
MECH. ENG. CHARLES BUTALA	5-17-78	
PROJ. ENG. P. E. NELSON	5-22-78	
PROD. J. JOYCE	5-22-78	
SCALE 2/1		
SHT. 1 OF 3		
NEXT HIGHER ASSY: B-DD-5413044-0-0		

digital		
LA120 POWER SUPPLY		
SIZE CODE	NUMBER	REV
E JA	5413044-0-0	J

THIS DRAWING AND IDENTIFICATION MARKS ARE THE PROPERTY OF DIGITAL EQUIPMENT CORPORATION AND SHALL NOT BE REPRODUCED OR COPIED IN WHOLE OR IN PART AS THE BASIS FOR THE MANUFACTURE OR SALE OF THIS PRODUCT WITHOUT PERMISSION. COPYRIGHT © 1977 DIGITAL EQUIPMENT CORPORATION

5013043D
5413044



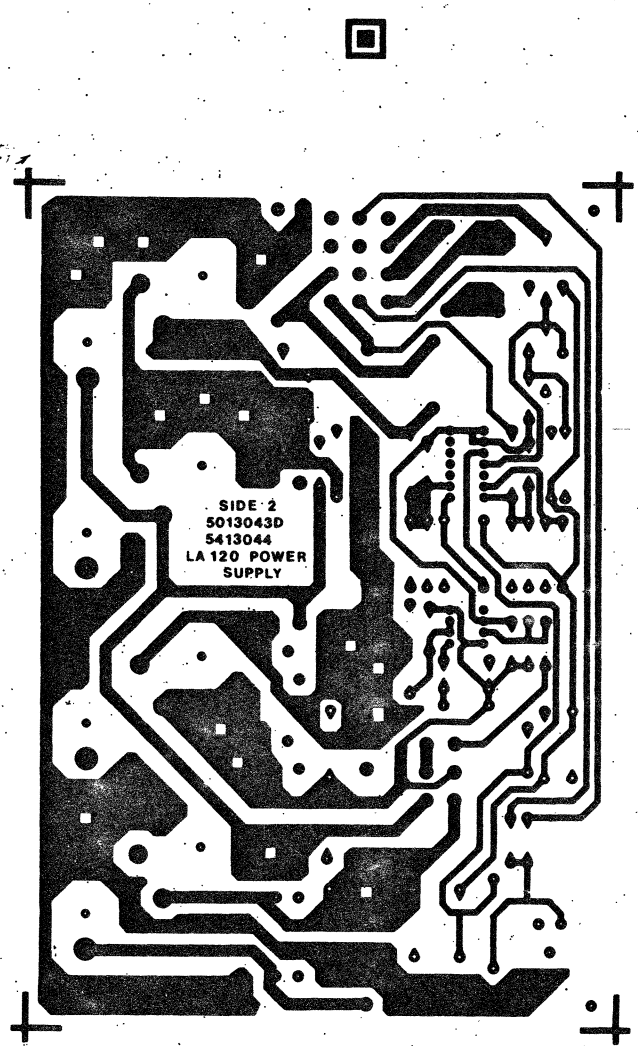
VIED FROM SIDE 1

REVISIONS		
CHK	CHANGE NO.	REV.

TITLE	LAI20 POWER SUPPLY	DESIGN CODE	EUA	NUMBER	5413044-0-0	REV.	J
SCALE	2/1	SHEET	2	OF	3	DIST.	1 PH

5413044-0-0 J

THIS DRAWING AND SPECIFICATIONS, HEREIN, ARE THE PROPERTY OF DIGITAL EQUIPMENT CORPORATION AND SHALL NOT BE REPRODUCED OR USED IN WHOLE OR IN PART IN THE ABSENCE OF THE WRITTEN PERMISSION OF THE MANUFACTURER OR SALE OF THESE WRITTEN PERMISSIONS.
 COPYRIGHT © 1977, DIGITAL EQUIPMENT CORPORATION



VIED FROM SIDE 2

REVISIONS		
CHK.	CHANGE NO.	REV.

TITLE	LA120 POWER SUPPLY	SIZE CODE	NUMBER	REV.
SCALE	2/1	SHEET	3 OF 3	DIST.
				1 PN

PART NO. 5413044-0-0
 REV. B

LINE	ITEM	DOCUMENT NUMBER	PART NUMBER	DESCRIPTION	QTY	PER VARIATION	REFERENCE DESIGNATOR
1	1	E-MD-5013043-0-0	5013043-00	LA120 PWR SUPPLY MAIN, BRD	1		
2	2		1000075-00	25 MFD 25V +75-10% AL EL	1		C15
3	3		1001610-00	.01 MFD 50V +80-20% 25U CER	2		C17,C18
4	4		1005507-00	1 MFD 100V +50-10% AL EL	1		C19
5	5		1009433-00	190 MFD 12V +75-10% AL EL	1		C16
6	6		1012607-00	560 MFD 20V+100-10% AL EL	2		C3,C4
7	7		1012607-04	270 MFD 40V+100-10% AL EL	1		C20
8	8		1013466-11	.22 MFD 50V +80-20% Z5U CER	10		C5,C6,C7,C8,C9,C10,C11,C12,C13, CONT C14
9	9		1014526-00	180 MFD 40V+100-10% AL EL	2		C1,C2
10	10		1105796-00	1N 4004 PIV=400 I= 1A D041 SP	2		D3,D4
11	11		1105873-00	4M5-1AZ1 VZ= 5.1 1% .400W	1		D5
12	12		1109502-00	1N 4742 VZ= 12.0 10% 1W Y	1		D6
13	13		1110615-00	MR 752 PIV=200 I=22A A264 SM	2		D1,D2
14	14		1205747-00	FUSE, SUB-MINI, 5.000A, 125V, A	1		F1
15	15		1209336-00	JACK, 1LINE	2		
16	16		1212297-05	MATE-N-LOK 6PIN UNIV HEADER	1		J2
17	17		1212297-06	MATE-N-LOK 12PIN UNIV HEADER	1		J1
18	18		1213071-02	INSULATOR,RUBBER SILICONE SM	2		
19	19		1215217-00	HEAT SINK,TO-3,ALUM	1		
20	20		1300288-00	270.0 2.0 W10.0 % CC	1		R1
21	21		1300296-00	330.0 .50 W 5.0 % CC	1		R25
22	22		1300319-00	470.0 1.0 W 5.0 % CC	1		R24
23	23		1300365-00	1.0 K .25 W 5.0 % CC	2		R3,R4
24	24		1300400-00	1.80 K .50 W10.0 % CC	2		R7,R8
25	25		1300426-00	2.70 K .25 W 5.0 % CC	1		R23
26	26		1302092-00	220.0 K .25 W 5.0 % CC	2		R13,R14
27	27		1302124-00	18.0 .25 W 5.0 % CC	1		R2
28	28		1302465-00	18.0 K .25 W 5.0 % CC	1		R26
29	29		1303114-00	1.0 K .25 W 1.0 % RN55D-F10	2		R11,R12

REVISION HISTORY			BASIC PART NO: 5413044		
ENG	ECD NUMBER	REV	SECTION A OF A	DRN:	VIN PARECHANIAN DATE: 13-MAR-78
---	INTI	C	SECTION, VARIATION INDEX	CHK'D:	T SHETRAWSKI DATE: 5-APR-78
JB	15413044-PN001	D	[A] 00		
JB	15413044-PN002	E	[B]		
JB	15413044-PN003	F	[C]	DES.ENG:	CHARLES BUTALA DATE: 13-MAR-78
JB	15413044-PN004	H	[D]		
JB	15413044-PN005	J	[E]		
EK	15413044-PN006	K	[F]	RESP.ENG.:	CHARLES BUTALA DATE: 13-MAR-78
			[H]		
			[J]		
			[K]	MFG.ENG.:	JAMES JOYCE DATE: 30-MAR-78
			[L]		
			[M]	ASSEMBLY NUMBER:	
			[N]	E-UA-5413044-0-0	TOP DOCUMENT NUMBER: H7110
					FILE NAME: 13044K,PLS
					EDIT #: 20

"THIS DRAWING AND SPECIFICATIONS HEREIN, ARE THE PROPERTY OF DIGITAL EQUIPMENT CORPORATION AND SHALL NOT BE REPRODUCED OR COPIED OR USED IN WHOLE OR IN PART AS THE BASIS FOR THE MANUFACTURE OR SALE OF ITEMS WITHOUT WRITTEN PERMISSION. COPYRIGHT (C) 1981, DIGITAL EQUIPMENT CORPORATION"

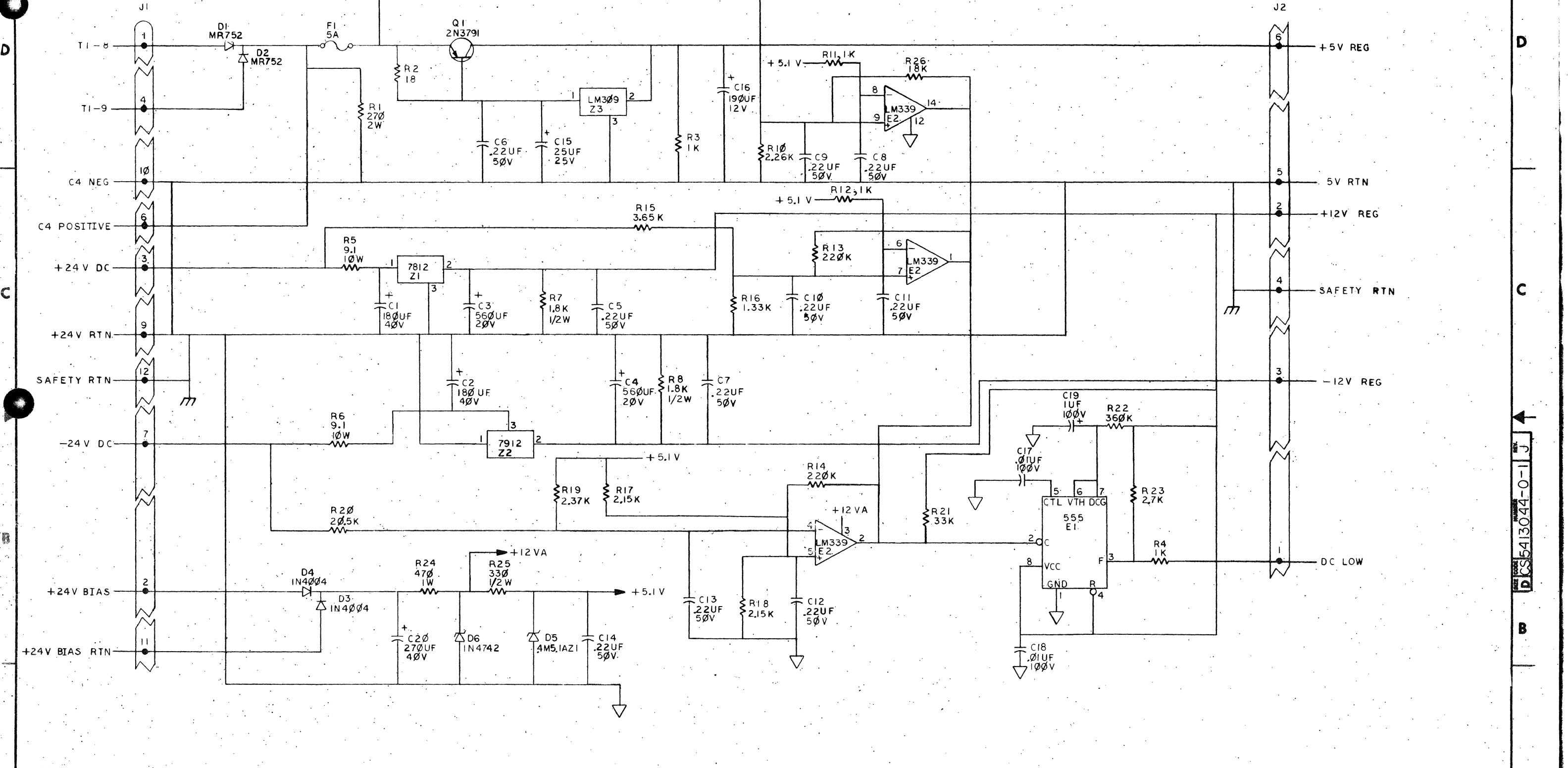
LINE	ITEM	DOCUMENT NUMBER	PART NUMBER	DESCRIPTION	QTY PER VARIATION 00	REFERENCE DESIGNATOR
30	30		1304835-00	/REPLACED BY 13-05337-00 PM	1	R15
31	31		1310630-00	1.33 K .25 W 1.0 % RN55D-F10	1	R16
32	32		1310632-00	2.37 K .25 W 1.0 % RN55D-F10	1	R19
33	33		1311653-00	7.15 K .25 W 1.0 % RN55D-F10	2	R17,R18
34	34		1312933-00	360.0 K .25 W 5.0 % CC	1	R22
35	35		1313349-00	33.0 K .25 W 5.0 % CC	1	R21
36	36		1313846-00	2.26 K .25 W 1.0 % RN55D-F10	1	R10
37	37		1314520-00	9.10 10.0 W 5.0 % Ww	2	R5,R6
38	38		1315096-00	1.87 K .25 W 1.0 % RN55D-F10	1	R9
39	39		1315097-00	20.50 K .25 W 1.0 % RN55D-F10	1	R20
40	40		1509581-00	2N 3791 PNP 150WC SI 60 30 M	1	Q1
41	41		1910460-00	DEC 309 VOLT REG, FIX +15V	1	Z3
42	42		1911944-00	555CN TIMER, FUNCT, BLOCK	1	E1
43	43		1912048-00	DEC 7812 VOLT REG, FIX +12V	1	Z1
44	44		1912108-00	339 VOLT CMPRTR, QUAD	1	E2
45	45		1914517-00	7912 VOLT REG, FIX -12V	1	Z2
46	46		9006507-00	RIVET, BLIND, .125 DIA X .257 LG	4	
47	47		9006658-00	WASHER, FLAT, .375 O.D. X .144 I	4	
48	48		9006707-00	WASHER, NYLON, FLAT #6 .312 OD	4	
49	49		9007793-01	SCREW, PAN, PHIL 6-32X 9/16 SS	8	
50	50		9007801-00	WASHER, LOCK, S.S. #6	8	
51	51		9008957-00	NUT, HEX , 6-32X 1/4 AF X 3	8	
52	52		9009676-00	TERM LUG 1POS SOLDER	4	
53	53		9006656-00	WASHER, FLAT, .312 O.D. X .156 I	8	
54	54		9009798-00	SPACER, CERAMIC, .186 ODX, .078 ID	4	
55	55	A-SP-3700440-0-0	3700440-00	INSTR PKG MODULE 5413044	REF	
56	56	A-SP-3700438-0-0	3700438-00	INSTR PKG, BULK CARTON 99-06476-	REF	

57 NOTE: 1. FOR INDIVIDUAL FIELD SERVICE/CUSTOMER SPARES SHIPMENTS
 58 NOTE: USE PKG. INSTRUCTIONS A-SP-3700440-0-0. FOR BULK INTERPLANT
 59 NOTE: SHIPMENTS USE PKG. INSTRUCTION A-SP-3700438-0-0.

D I G I T A L				TITLE	LA120 POWER SUPPLY	SECTION A OF A	SIZE	CODE	DOCUMENT NUMBER	REV
							K	PL	5413044-0-DBP	K

THIS DRAWING AND SPECIFICATIONS, HEREIN, ARE THE PROPERTY OF DIGITAL EQUIPMENT CORPORATION AND SHALL NOT BE REPRODUCED OR COPIED OR USED IN WHOLE OR IN PART AS THE BASIS FOR THE MANUFACTURE OR SALE OF ITEMS WITHOUT WRITTEN PERMISSION. COPYRIGHT © 1978, DIGITAL EQUIPMENT CORPORATION

NOTES:
1. ALL RESISTORS ARE TO BE 1/4 W UNLESS OTHERWISE NOTED.

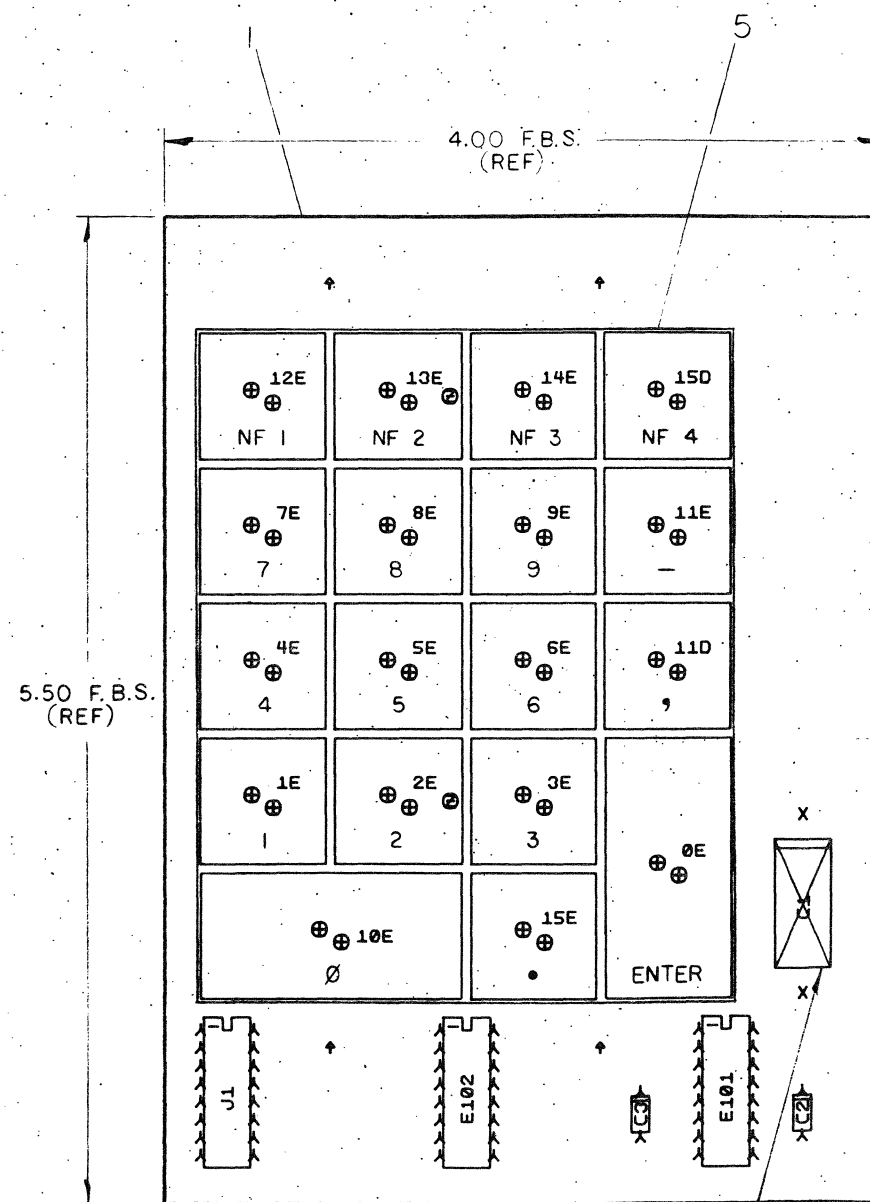


REV	DATE	BY	CHK
1	1-10-78	J. BITTO	J. BITTO
2	1-10-78	J. BITTO	J. BITTO
3	1-10-78	J. BITTO	J. BITTO
4	1-10-78	J. BITTO	J. BITTO
5	1-10-78	J. BITTO	J. BITTO
6	1-10-78	J. BITTO	J. BITTO
7	1-10-78	J. BITTO	J. BITTO
8	1-10-78	J. BITTO	J. BITTO

DRN. <i>K. Davis</i>	11 JAN 78	FIRST USED ON	H7110/LA120	digital
CHK'D <i>[Signature]</i>	5/1/78	TITLE	LA120 POWER SUPPLY	
ENG. <i>[Signature]</i>		PROJECT	LA120	
PROD. <i>[Signature]</i>		DATE	1-10-78	
NEXT HIGHER ASSY.				
B-DD-5413044-0		SIZE	CODE	NUMBER
SCALE		D	CS	5413044-0-1
SHEET		OF	DIST.	

THIS DRAWING AND SPECIFICATIONS, HEREIN, AND THE PROPERTY OF DIGITAL EQUIPMENT CORPORATION AND SHALL NOT BE REPRODUCED OR COPIED IN WHOLE OR IN PART OR THE BASIS FOR THE MANUFACTURE OR SALE OF ITEMS WITHOUT WRITTEN PERMISSION.
 DIGITAL EQUIPMENT CORPORATION
 COPYRIGHT ©

COMPONENT SIDE VIEW



SEE NOTE 1

NOTES: 1. C1 IS NOT USED.

STEP	↑ Y AXIS	STEP	TIMES
REPEAT	→ X AXIS	STEP	TIMES

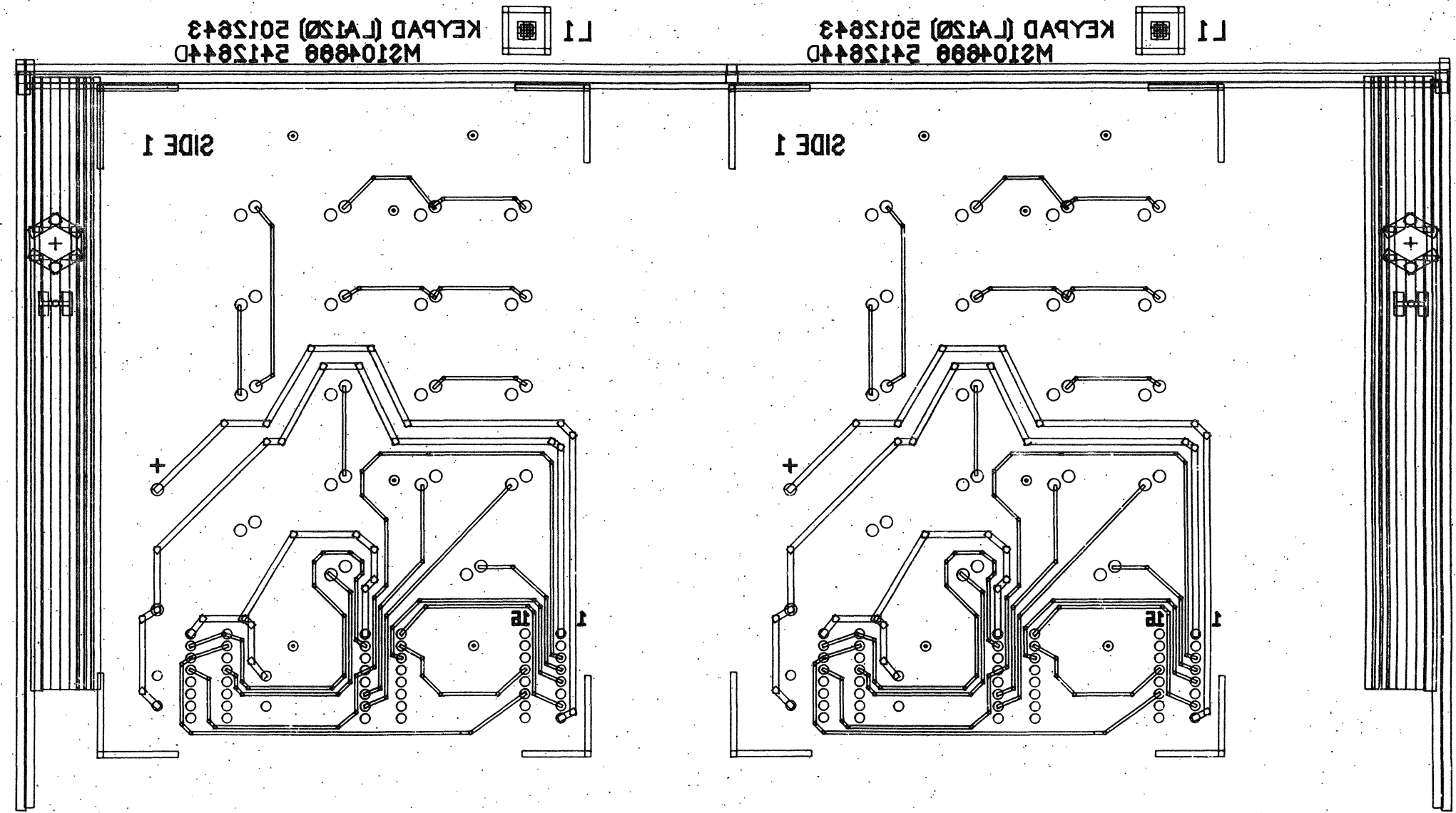
CHANGE NO	REV	DATE	BY	CHK'D
5012643-PR001	C			
5012643-PR001	C			
5012644-PR001	D			

ETCH REV.	D
-----------	---

SIGNATURES		DATE	digital		
DRN.	M. RIPLEY	3-16-77			
CHK'D.	R. H.	4-4-77	TITLE KEYBOARD (L.A.S.)		
MECH. ENG.	R. LOMICKA	4-4-77			
PROJ. ENG.	R. LOMICKA	4-4-77			
PROD.	J. JOYCE	4-4-77			
SCALE	2/1	SIZE	CODE	NUMBER	REV
SHT.	1 OF 3	D	CA	5412644	
NEXT HIGHER ASSY. B-DD-5412644-0					

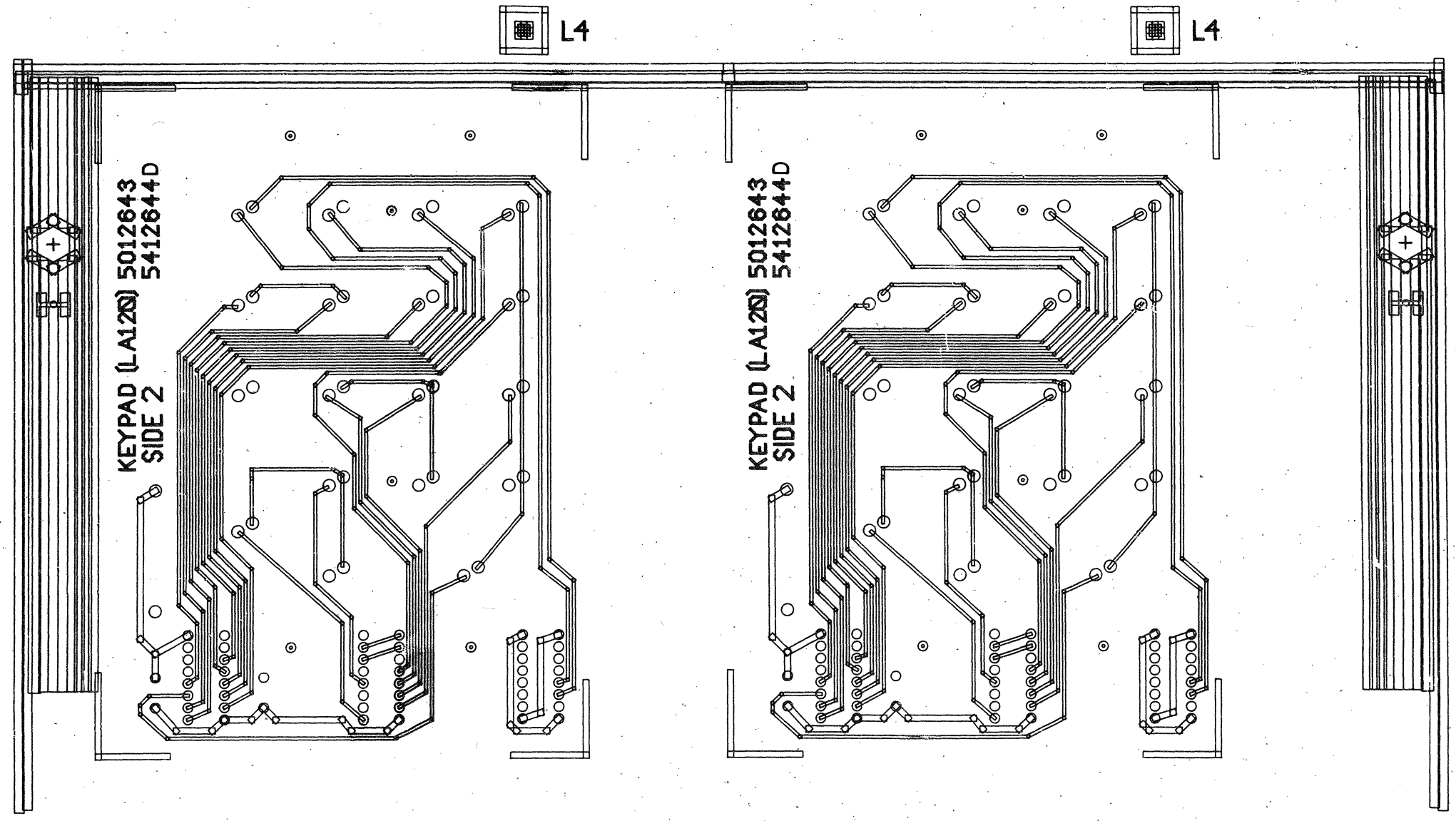
1 MS# 036

THIS DRAWING AND SPECIFICATIONS, HEREIN, AND THE
PROPERTY OF THE UNITED STATES GOVERNMENT AND SHALL
NOT BE REPRODUCED OR TRANSMITTED IN ANY FORM OR BY
ANY MEANS, ELECTRONIC OR MECHANICAL, INCLUDING
PHOTOCOPYING, RECORDING, OR BY ANY INFORMATION
STORAGE AND RETRIEVAL SYSTEM, WITHOUT PERMISSION
IN WRITING FROM THE UNITED STATES GOVERNMENT.



DUA 542644-C-0-D

THIS DRAWING AND SPECIFICATIONS, HEREIN, ARE THE PROPERTY OF DIGITAL EQUIPMENT CORPORATION AND SHALL NOT BE REPRODUCED OR COPIED IN WHOLE OR IN PART OR THE BASIS FOR THE MANUFACTURE OR SALE OF ITEMS WITHOUT WRITTEN PERMISSION.
COPYRIGHT © 1975 DIGITAL EQUIPMENT CORPORATION



LINE ITEM	DOCUMENT NUMBER	PART NUMBER	DESCRIPTION	QTY PER VARIATION 00	REFERENCE DESIGNATOR
1	1	5012643-00	KEY PAD (LA120) (ETCH BRD.)	1	
2	2	1001610-00	.01 MFD 50V -20+80 Z5U AXIAL	2	C2,C3
3	3	1211813-02	SOCKET 16PIN IC LOW PROFILE,	1	J1
4	4	1913950-00	LS156 DECODER,2 OF 4(DUAL)	2	E101,E102
5	5	7014561-00	18 KEY NUMERIC PAD ASSY	1	
6	6	9010033-00	SCREW,PAN,PHILLIPS, 4-24 X 3/8	2	

REVISION HISTORY			BASIC PART NO: 5412644		
ENG	ECO NUMBER	REV	SECTION A OF A	DRN:	DATE:
---	INIT	B	SECTION VARIATION INDEX	M. RIPLEY	15-FEB-78
JB	5412644-PN001	D	[A] 00	M. PICARD	15-FEB-78
			[B]	R. LOMICKA	07-MAR-78
			[C]	R. LOMICKA	07-MAR-78
			[D]	J. JOYCE	07-MAR-78
			[E]		
			[F]		
			[H]		
			[J]		
			[K]		
			[L]		
			[M]		
			[N]		

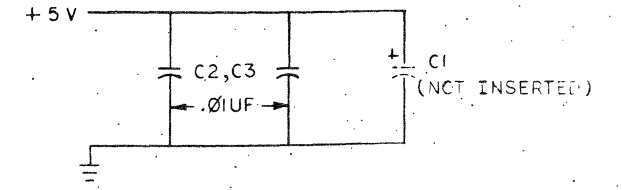
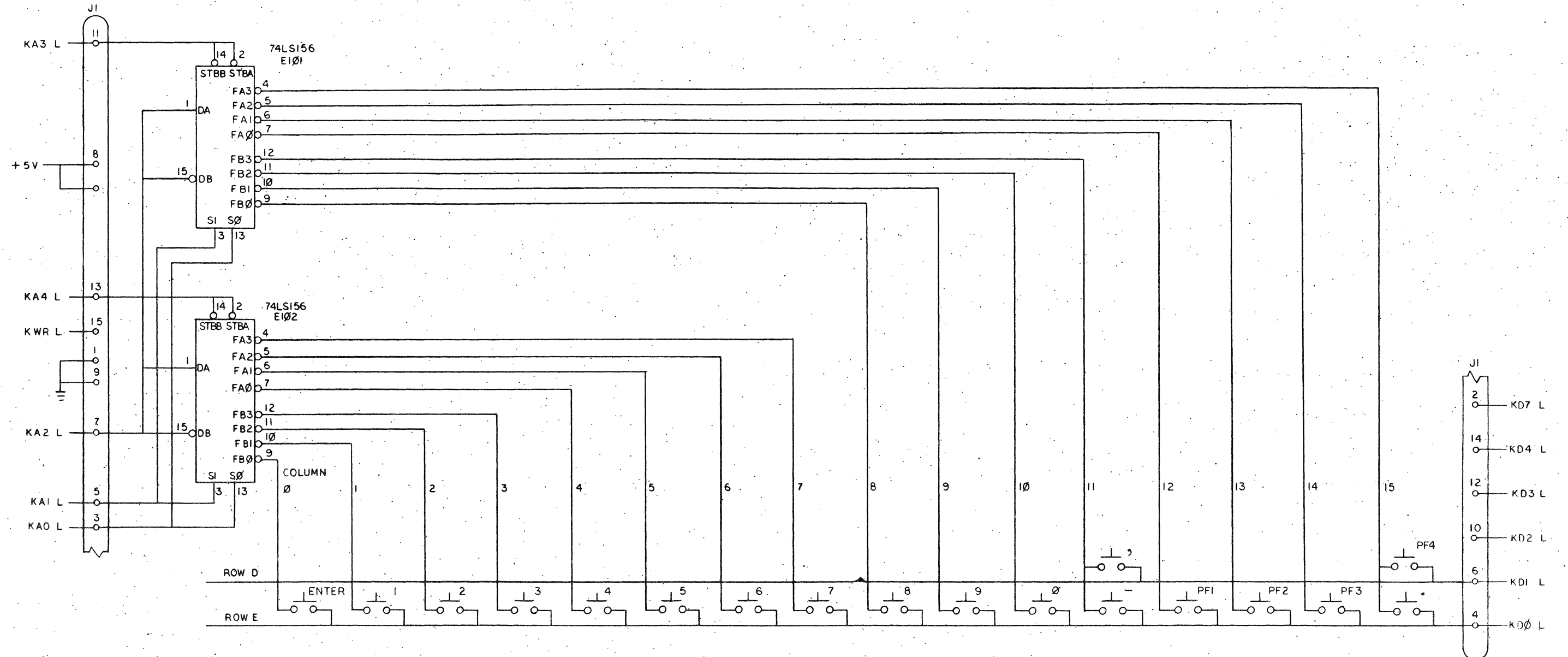
DRN:	DATE:	TITLE
M. RIPLEY	15-FEB-78	PARTS LIST
M. PICARD	15-FEB-78	KEYPAD (LA120)
R. LOMICKA	07-MAR-78	
R. LOMICKA	07-MAR-78	
J. JOYCE	07-MAR-78	

ASSEMBLY NUMBER:	TOP DOCUMENT NUMBER:	FILE NAME:	EDIT #:
D-UA-5412644-0-0	LA120	12644D.PLS	12

DOCUMENT NUMBER	SIZE	CODE	NUMBER	REV
5412644-0-DBP	K	PL		D

"THIS DRAWING AND SPECIFICATIONS HEREIN, ARE THE PROPERTY OF DIGITAL EQUIPMENT CORPORATION AND SHALL NOT BE REPRODUCED OR COPIED OR USED IN WHOLE OR IN PART AS THE BASIS FOR THE MANUFACTURE OR SALE OF ITEMS WITHOUT WRITTEN PERMISSION. COPYRIGHT (C) 1980, DIGITAL EQUIPMENT CORPORATION."

"THIS DRAWING AND SPECIFICATIONS HEREIN ARE THE PROPERTY OF DIGITAL EQUIPMENT CORPORATION AND SHALL NOT BE REPRODUCED OR COPIED OR USED IN WHOLE OR IN PART AS THE BASIS FOR THE MANUFACTURE OR SALE OF ITEMS WITHOUT WRITTEN PERMISSION. COPYRIGHT © 1977, DIGITAL EQUIPMENT CORPORATION"



REV.	REV.
C	
B	
A	

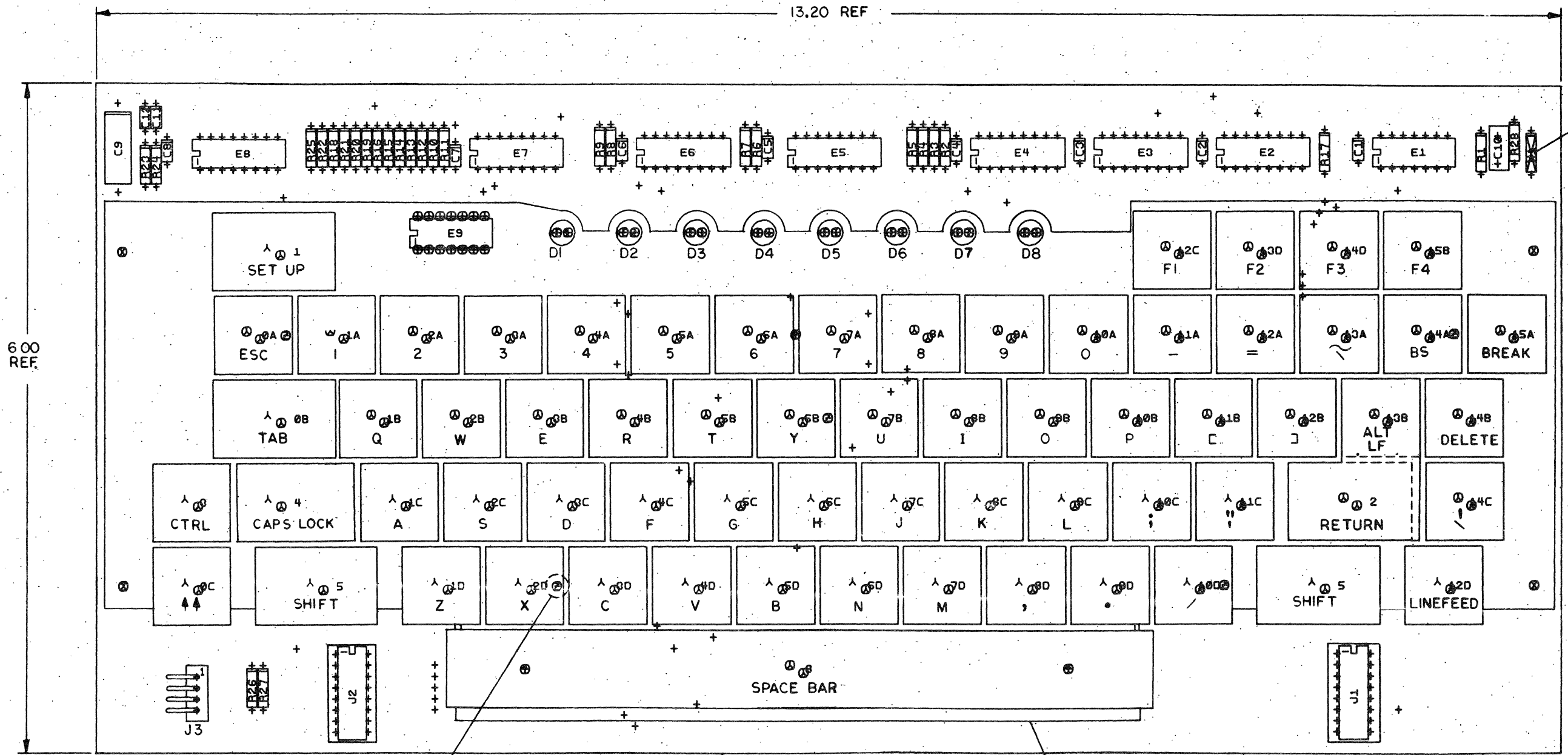
REVISIONS

CHANGE NO.	BY	DATE
5012643-FN001	J. BITTO	12/1/77
5012644-FN001	J. BITTO	3/4/78

DRN: <i>[Signature]</i>	12/1/77	FIRST USED ON	LAI20	digital
CHK'D: <i>[Signature]</i>	3-4-75	TITLE	KEYPAD (LAI20)	
ENG. <i>[Signature]</i>	4/18/77			
PROJ. ENG. <i>[Signature]</i>	4/18/77			
NEXT HIGHER ASSY.				
B-DD-5412644-0		SIZE	CODE	NUMBER
SCALE		D	CS	5412644-0-1
SHEET	OF	DIST.		REV.
				3

THIS DRAWING AND SPECIFICATIONS, HEREIN, AND THE PROPERTY OF DIGITAL EQUIPMENT CORPORATION AND SHALL NOT BE REPRODUCED OR COPIED IN WHOLE OR IN PART OR THE BASIS FOR THE MANUFACTURE OR SALE OF ITEMS WITHOUT WRITTEN PERMISSION.
 COPYRIGHT © MAR 1978 DIGITAL EQUIPMENT CORPORATION

COMPONENT SIDE VIEW



21 ATTACHED FROM F.S. TYP

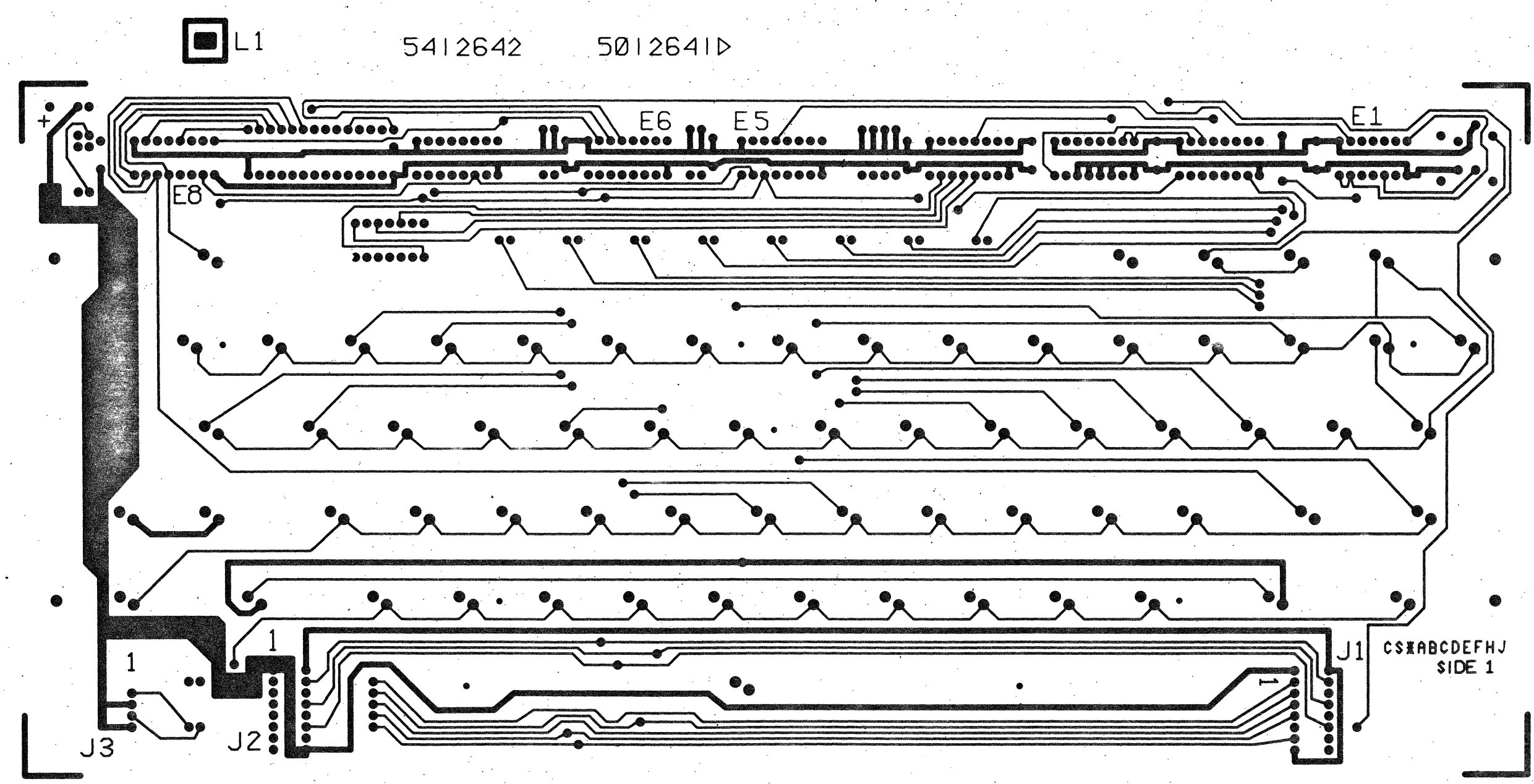
NOTES: 1. WI NOT USED.

CHANGE NO	REV	DATE	BY	CHK'D.
38	5412642-PN001	D	J BITTO	

ETCH REV.	D
P.C. DESIGN DATA BASE REV.	DL

SIGNATURES	DATE	digital
DRN. <i>R. Ridley</i>	3/14/78	
CHK'D. <i>R. Lomicka</i>	4/5/78	
ENG. <i>Roy Lomicka</i>	1/18/78	TITLE KEYBOARD LA120
PROD. <i>John J...</i>	1/18/78	SCALE 2/1
SHT. 1 OF 3		SIZE CODE NUMBER REV
NEXT HIGHER ASSY. B-DD-5412642-0		0 UA 5412642-0-0 D

"THIS DRAWING AND SPECIFICATIONS, HEREIN, ARE THE PROPERTY OF DIGITAL EQUIPMENT CORPORATION, AND SHALL NOT BE REPRODUCED OR COPIED OR USED IN WHOLE OR IN PART AS THE BASIS FOR THE MANUFACTURE OR SALE OF ITEMS WITHOUT WRITTEN PERMISSION. COPYRIGHT © 1978, DIGITAL EQUIPMENT CORPORATION."

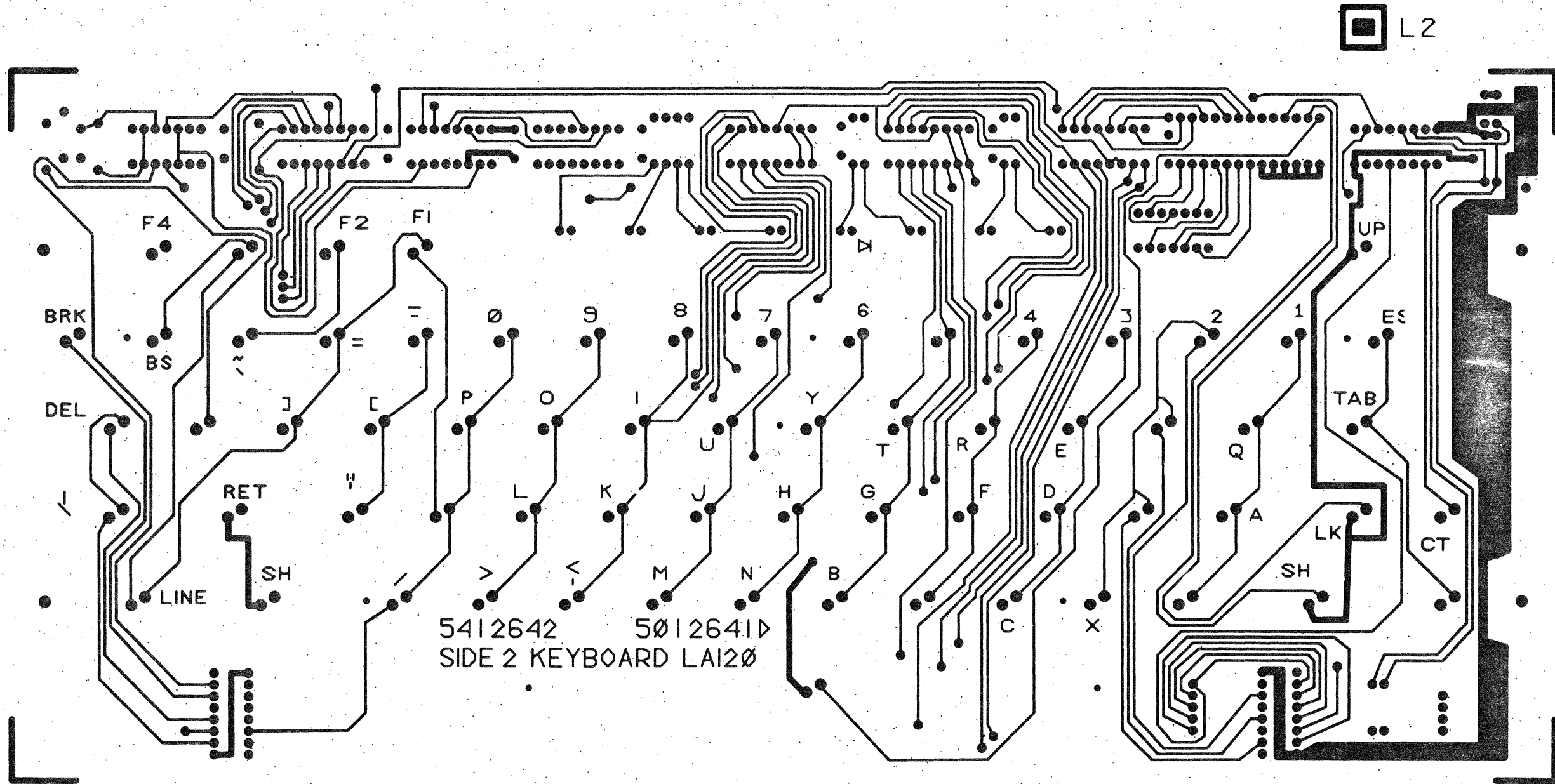


J1 CSXABCDEFHJ
 SIDE 1

REVISIONS		
CHK	CHANGE NO	REV

TITLE	KEYBOARD LA120	SIZE CODE	DUA	NUMBER	5412642-0-0	REV.	D
SCALE	2/1	SHEET	2 OF 3	DIST.			

"THIS DRAWING AND SPECIFICATIONS HEREIN ARE THE PROPERTY OF DIGITAL EQUIPMENT CORPORATION AND SHALL NOT BE REPRODUCED OR COPIED OR USED IN WHOLE OR IN PART AS THE BASIS FOR THE MANUFACTURE OR SALE OF ITEMS WITHOUT WRITTEN PERMISSION. COPYRIGHT © 1978, DIGITAL EQUIPMENT CORPORATION"



5412642 5012641D
SIDE 2 KEYBOARD LA120

REVISIONS		
CHK	CHANGE NO	REV

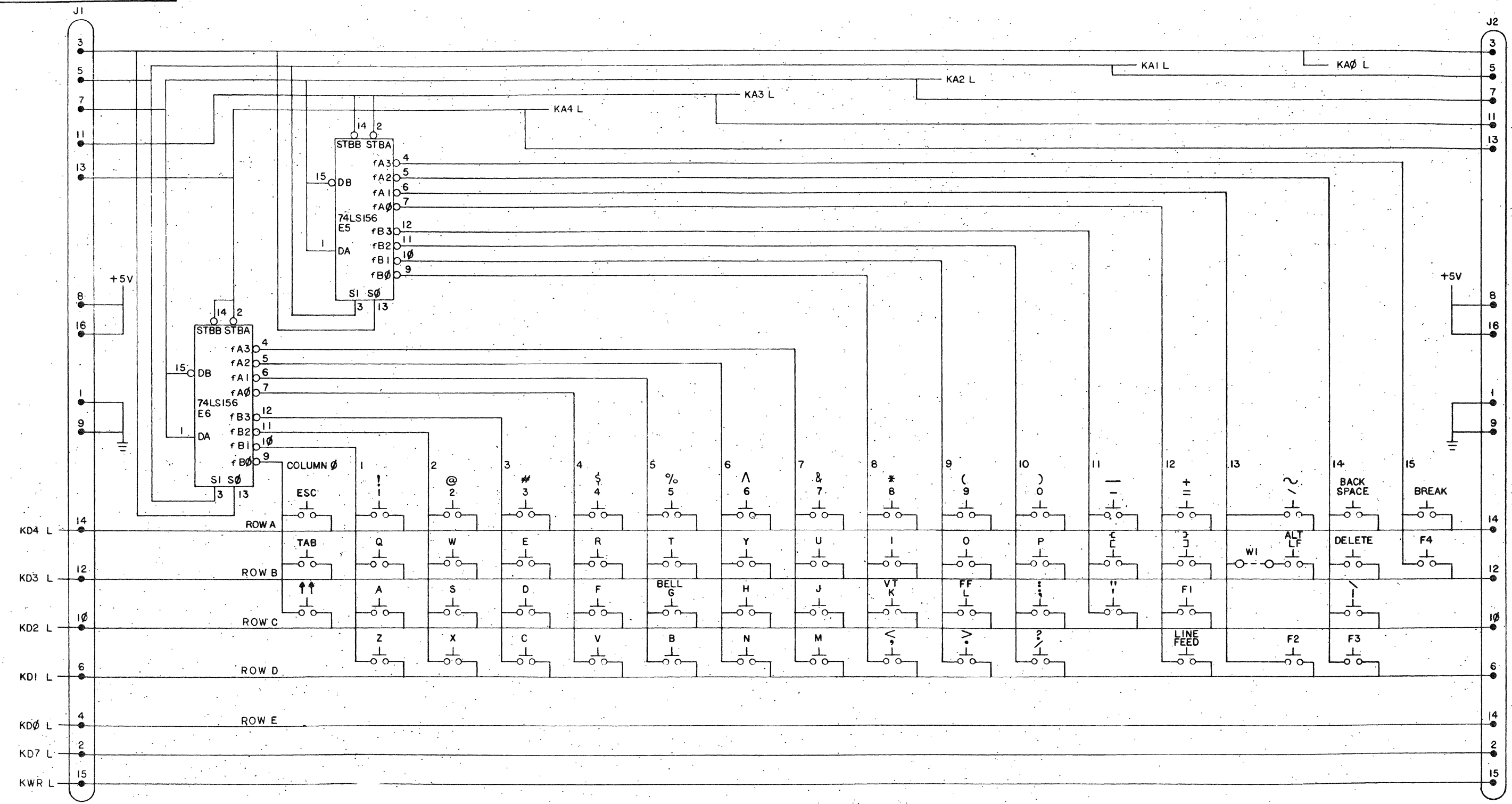
TITLE	KEYBOARD LA120	SIZE CODE	DUA	NUMBER	5412642-0-0	REV.	D
SCALE	2/1	SHEET	3 OF 3	DIST.			

PHN 1

LINE	ITEM	DOCUMENT NUMBER	PART NUMBER	DESCRIPTION	QTY PER VARIATION	REFERENCE DESIGNATOR
1	1		5012641-00	KEY BOARD (LA120) (ETCH BOARD)	1	
2	2		1000042-00	1000.0 MMF 100V 5%200PPM DM15S	1	C10
3	3		1001610-01	.01 MFD 100V -20+80 Z5U DISC	10	C1=C8,C11,C12
4	4		1012084-01	8 MFD 25V G% 30D AL EL	1	C9
5	5		1110864-00	LED 2MCD@10MA	8	D1=D8
6	6		1114589-00	LED,4-DIGIT,10MA,3V,RED	1	E9
7	7		1215006-02	SOCKET 16PIN IC LOW PROFILE	2	J1,J2
8	8		1214981-00	CONN 4PIN RT ANGLE	1	J3
9	9		1300309-00	390.0 .25 W 5.0 % CC	10	R26=R28,R10=R16
10	10		1300316-00	470.0 .25 W 5.0 % CC	9	R2=R9,R17
11	11		1300479-00	10.0 K .25 W 5.0 % CC	8	R18=R25
12	12		1302957-00	121.0 .25 W 1.0 % RN55D-F10	1	R1
13	13		1910047-00	74145 DECODER&DRIVER	1	E4
14	14		1911637-00	74132 NAND GATE=QUAD 2 IN	1	E1
15	15		1912648-00	LS251 MUX 8 INPUT,TRI=STA	1	E8
16	16		1912849-00	LS161 COUNTER,SYNCHR,4BIT	1	E3
17	17		1912860-00	LS259 LATCH 8BIT	1	E2
18	18		1913950-00	LS156 DECODER,2 OF 4(DUAL)	2	E5,E6
19	19		2114580-00	DECODER BCD=7/DRIVER	1	E7
20	20		7013910-00	KEYBOARD ARRAY ASSY	1	
21	21		9010033-00	SCREW,PAN,PHILLIPS, 4-24 X 3/8	5	

REVISION HISTORY		BASIC PART NO: 5412642		DRN:	P. KENDIRCK	DATE:	15-FEB-78	DIGITAL			
ENG	ECO NUMBER	REV	SECTION A OF A	CHK'D:	W. CASSIDY	DATE:	15-FEB-78	TITLE	PARTS LIST		
---	INIT	C	SECTION, VARIATION INDEX	CHK'D:	W. CASSIDY <td>DATE:</td> <td>15-FEB-78 <td>KEYBOARD (LA120)</td> <td colspan="2"></td> </td>	DATE:	15-FEB-78 <td>KEYBOARD (LA120)</td> <td colspan="2"></td>	KEYBOARD (LA120)			
JB	PN001	D	[A] 00	DES. ENG:	R. LOMICKA <td>DATE:</td> <td>18-APR-78 <td>DOCUMENT NUMBER</td> <td colspan="2"></td> </td>	DATE:	18-APR-78 <td>DOCUMENT NUMBER</td> <td colspan="2"></td>	DOCUMENT NUMBER			
			[B]	RESP. ENG.:	R. LOMICKA <td>DATE:</td> <td>18-APR-78 <td>SIZE</td> <td>CODE</td> <td>NUMBER</td> <td>REV</td> </td>	DATE:	18-APR-78 <td>SIZE</td> <td>CODE</td> <td>NUMBER</td> <td>REV</td>	SIZE	CODE	NUMBER	REV
			[C]	MFG. ENG.:	J. JOYCE <td>DATE:</td> <td>18-APR-78 <td>K</td> <td>PL</td> <td>5412642-0-DBP</td> <td>D</td> </td>	DATE:	18-APR-78 <td>K</td> <td>PL</td> <td>5412642-0-DBP</td> <td>D</td>	K	PL	5412642-0-DBP	D
			[D]	ASSEMBLY NUMBER:		TOP DOCUMENT NUMBER:		FILE NAME:	EDIT #		
			[E]	D-UA-5412642-0-0		LA120		12642D.PLS	20		
			[F]	"THIS DRAWING AND SPECIFICATIONS HEREIN, ARE THE PROPERTY OF DIGITAL EQUIPMENT CORPORATION AND SHALL NOT BE REPRODUCED OR COPIED OR USED IN WHOLE OR IN PART AS THE BASIS FOR THE MANUFACTURE OR SALE OF ITEMS WITHOUT WRITTEN PERMISSION. COPYRIGHT (C) 1980, DIGITAL EQUIPMENT CORPORATION"							
			[G]								
			[H]								
			[I]								
			[J]								
			[K]								
			[L]								
			[M]								
			[N]								

"THIS DRAWING AND SPECIFICATIONS, HEREIN, ARE THE PROPERTY OF DIGITAL EQUIPMENT CORPORATION AND SHALL NOT BE REPRODUCED OR COPIED OR USED IN WHOLE OR IN PART AS THE BASIS FOR THE MANUFACTURE OR SALE OF ITEMS WITHOUT WRITTEN PERMISSION.
 COPYRIGHT © 1977, DIGITAL EQUIPMENT CORPORATION"



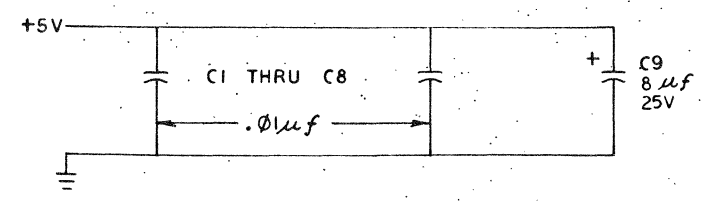
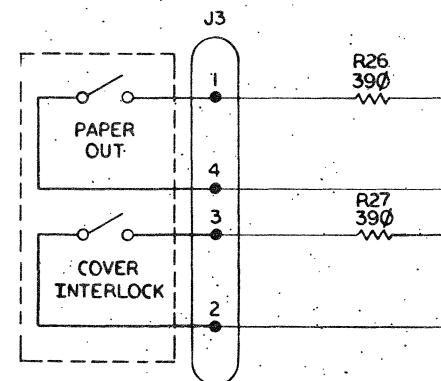
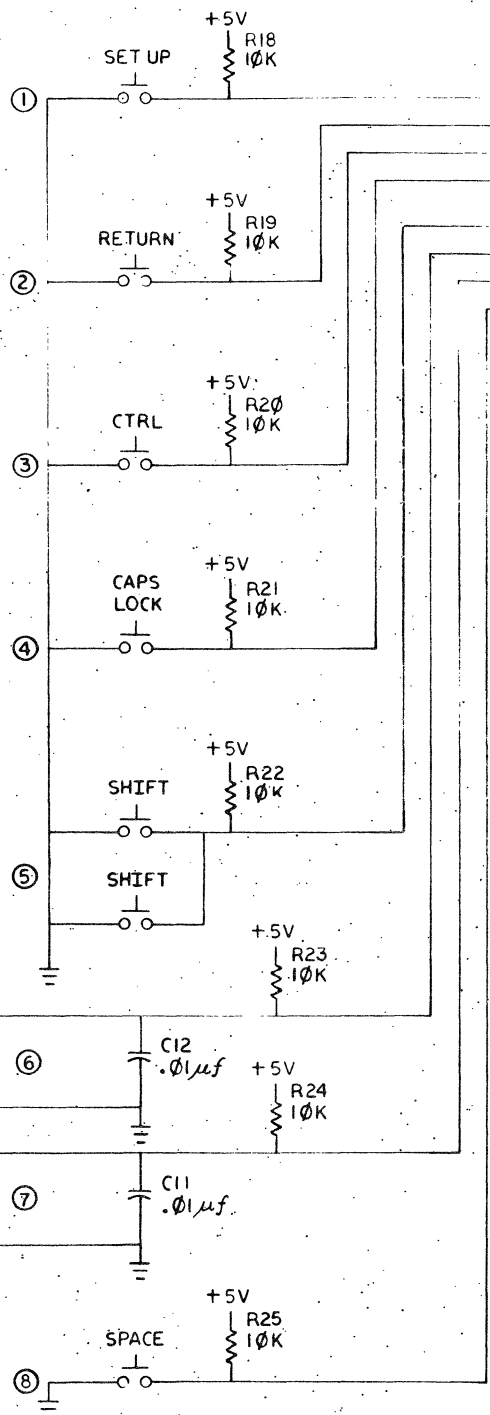
REV.	D
CHANGE NO.	5412642-PN001
CHK	J. BITTO

DRN. <i>Jim Stangel</i>	10/10/77	FIRST USED ON	LAI20
CHK'D <i>Paul Deacon</i>	3/23/78	TITLE	KEYBOARD LAI20
ENG. <i>Roy LaRocca</i>	11/14/77	SCALE	NONE
PROJ. ENG. <i>Roy LaRocca</i>	11/14/77	SHEET	1 OF 2
PROD. <i>Jim Stangel</i>	11/14/77	SIZE	D
NEXT HIGHER ASSY.		CODE	CS 5412642-0-1
		NUMBER	
		REV.	D

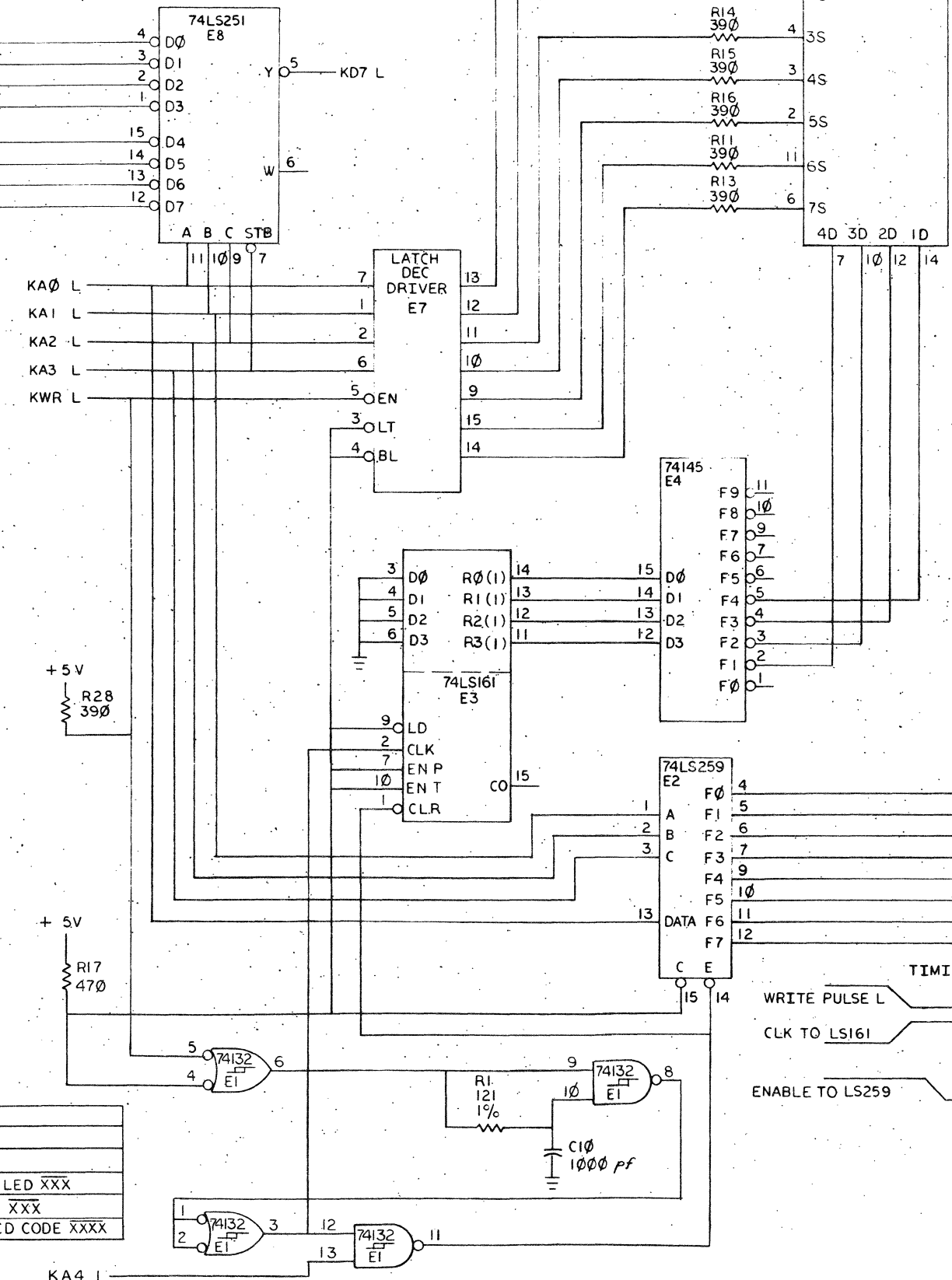
"THIS DRAWING AND SPECIFICATIONS, HEREIN, ARE THE PROPERTY OF DIGITAL EQUIPMENT CORPORATION AND SHALL NOT BE REPRODUCED OR COPIED OR USED IN WHOLE OR IN PART AS THE BASIS FOR THE MANUFACTURE OR SALE OF ITEMS WITHOUT WRITTEN PERMISSION. COPYRIGHT © 1977 DIGITAL EQUIPMENT CORPORATION"

ADDRESS	COLUMN	SWITCHES
XXXX 10-17	0-7	NOT SELECTED
XXXX 20-27	8-15	SELECTED
XXXX 00-07	NOT VALID	---
XXXX 30-37	NOT VALID	---

A4L	A3L	A2L	A1L	A0L	COLUMN #	SWITCH #
0	1	0	0	0	0	---
0	1	0	0	1	1	---
0	1	0	1	0	2	---
0	1	0	1	1	3	---
0	1	1	0	0	4	---
0	1	1	0	1	5	---
0	1	1	1	0	6	---
0	1	1	1	1	7	---
1	0	0	0	0	8	①
1	0	0	0	1	9	②
1	0	0	1	0	10	③
1	0	0	1	1	11	④
1	0	1	0	0	12	⑤
1	0	1	0	1	13	⑥
1	0	1	1	0	14	⑦
1	0	1	1	1	15	⑧

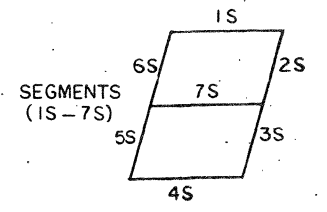
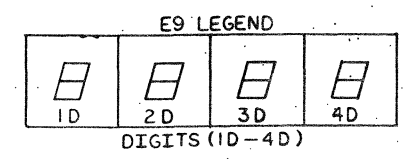
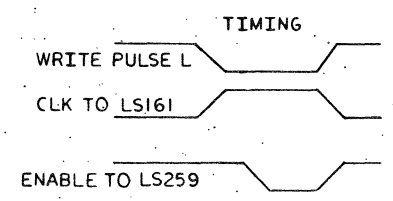
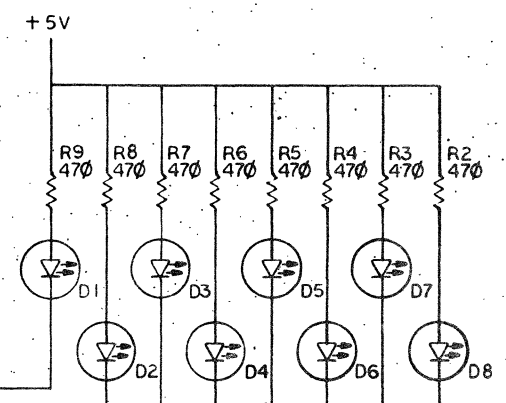


BINARY	COMMANDS FUNCTION
0 X X X 0	CLEAR COUNTER; CLEAR LED XXX
0 X X X 1	CLEAR COUNTER; SET LED XXX
1 X X X X	COUNT COUNTER; LATCH BCD CODE XXXX



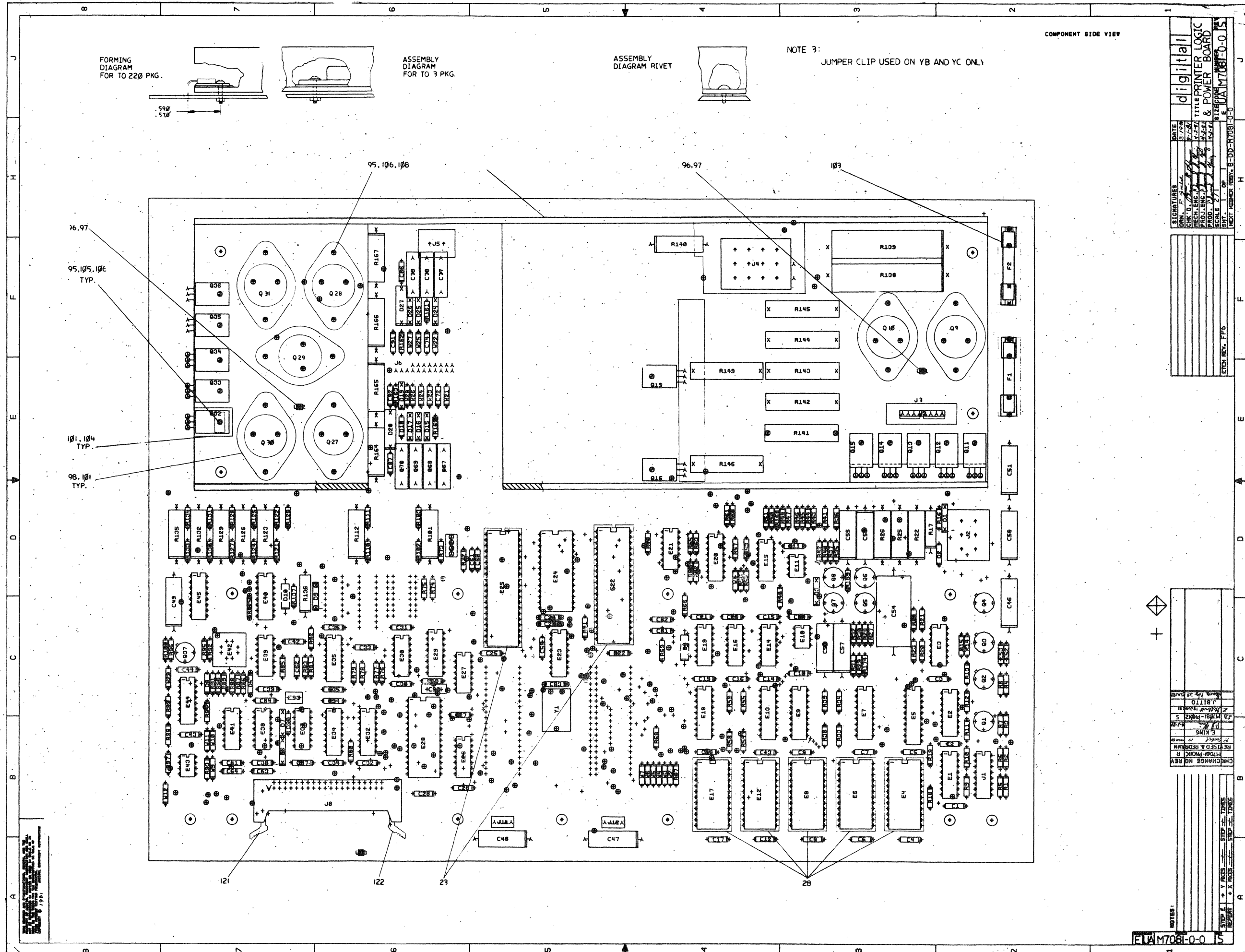
REF DES	+ 5V PIN	GND PIN
E1	14	7
E2-E8	16	8

COUNT	SELECT
0 0 0 0	LEDS (D1-D8)
0 0 0 1	ONES (4D)
0 0 1 0	TENS (3D)
0 0 1 1	HUNDREDS (2D)
0 1 0 0	THOUSANDS (1D)
0 1 0 1	
0 1 1 0	
0 1 1 1	
1 0 0 0	
1 0 0 1	
1 0 1 0	
1 0 1 1	
1 1 0 0	
1 1 0 1	
1 1 1 0	
1 1 1 1	

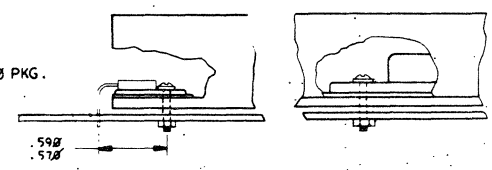


REVISIONS		
CHK	CHANGE NO.	REV.

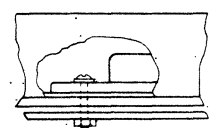
COMPONENT SIDE VIEW



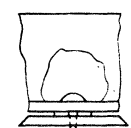
FORMING DIAGRAM FOR TO 220 PKG.



ASSEMBLY DIAGRAM FOR TO 3 PKG.



ASSEMBLY DIAGRAM RIVET



NOTE 3: JUMPER CLIP USED ON YB AND YC ONLY

96.97

95.105, 106 TYP.

101, 104 TYP.

98, 101 TYP.

95, 106, 106

96.97

103

121

122

23

28

digital	
DATE	9/7/66
CHK'D	P. GALL
MECH. ENG.	J. J. J.
PROJ. ENGR.	J. J. J.
SCALE	2:1
SIZE	E
REV. NO.	0-0
REV. DATE	0-0
REV. BY	0-0
REV. REASON	0-0
ETCH NO.	FF5
ETCH REV.	FF5

CHANGE NO	REV
1700-PM00C	R
REVISED BY	REDMAN
DATE	7/7/66
BY	E. KING
CHK'D BY	J. J. J.
DATE	7/7/66
BY	J. J. J.
CHK'D BY	J. J. J.
DATE	7/7/66
BY	J. J. J.
CHK'D BY	J. J. J.
DATE	7/7/66
BY	J. J. J.

STEP 1	Y. PAGES	STEP 2	TRACES
REWORK	X. PAGES	REWORK	X. TRACES

1700-PM00C-0-0 IS

LINE	ITEM	DOCUMENT NUMBER	PART NUMBER	DESCRIPTION	QTY PER VARIATION			REFERENCE DESIGNATOR
					00	YB	YC	
1	1		5012080-00	M7081	1	1	1	
2	2		1000038-00	.39 MFD 100V 10% MYLR	1	1	1	C54
3	3		1000075-00	.25 MFD 25V +75-10% AL EL	6	6	6	C46-C51
4	4		1001610-00	.01 MFD 50V +80-20% Z5U CER	47	47	47	C1-C30,C32,C34,C35,C37-C39, CONT C41-C44,C80-C84,C91,C92
5	5		1002323-00	.022 MFD 100V 10% MYLR	1	1	1	C57
6	6		1002342-00	.1 MFD 100V 10% MYLR	2	2	2	C56,C58
7	7		1002423-00	3300.0 MMF 100V 5%200PPM MICA	7	7	7	C67-C70,C77-C79
8	8		1010031-06	.68 MFD 50V 10% N,POLYCARB	1	1	1	C55
9	9		1010274-01	.22 MFD 50V +80-20% Z5U CER	2	2	2	C52,C53
10	10		1013466-12	2200.0 MMF 50V 10% X7R CER	1	1	1	C62
11	11		1013466-13	39.0 MMF 50V 5% CER	3	3	3	C59-C61
12	12		1013466-16	.010 MFD 50V 10% X7R CER	4	4	4	C72,C74,C86,C87
13	13		1100114-00	D 664 QS175PCB PIV= 25V SP	3	3	3	D2,D5,D8
14	14		1105796-00	1N 4004 PIV=400 I= 1A D041 SP	12	12	12	D1,D3,D6,D7,D9,D15-D17,D19, CONT D24-D26
15	15		1105873-00	4M5-1AZ1 VZ= 5.1 1% .400W	2	2	2	D4,D10
16	16		1114507-00	1N 4749A VZ= 24 5% 1W	2	2	2	D20,D27
17	17		1114588-00	NSR91405A PIV=50 I=4A T03	1	1	1	Q29
18	18		1209941-02	HEADER 100 40POS RT ANGLE	1	1	1	J8
19	19		1211813-02	SKT,IC 16PIN DIP GOLD PLATE	1	1	1	J1
20	20		1212297-00	MATE=N=LOK 2PIN UNIV HEADER	1	1	1	J5
21	21		1212297-05	MATE=N=LOK 6PIN UNIV HEADER	1	1	1	J2
22	22		1212297-06	MATE=N=LOK 12PIN UNIV HEADER	1	1	1	J4
23	23	USE WITH E22,E25	1215006-08	SKT,IC 40PIN DIP TIN PLATEE	2	2	2	J6
24	24		1213477-02	HEADER 16POS	1	1	1	J9
25	25		1214886-01	HEADER 40POS VERTICAL	1	1	1	J7
26	26		1214978-00	CONN 4POS WAFER-POLARIZIN	1	1	1	J3
27	27		1214978-01	CONN 8POS WAFER-POLARIZIN	1	1	1	
28	28	WITH E4,6,8,12,17	1215006-06	SKT,IC 24PIN DIP TIN PLATEE	5	5	5	

REVISION HISTORY		BASIC PART NO: M7081		DRN: J. FITZGERALD		DATE: 24-MAR-78		DIGITAL	
ENGR	ECO NUMBER	REV	SECTION A OF A	CHK'D:	R. HUMMERS	DATE:	28-MAR-78	TITLE PARTS LIST	
---	INIT	D	SECTION VARIATION INDEX					PRINTER LOGIC AND POWER BOARD	
LG	M7081-PN001	E	[A] 00,YB,YC						
JB	M7081-PN002	F	[B]						
RO	PN003	H	[C]	DES,ENG:	R. LOMICKA	DATE:	11-APR-78		
JB	PN004	J	[D]					DOCUMENT NUMBER	
JB	PN005	K	[E]						
JB	PN006	L	[F]	RESP,ENG.:	R. LOMICKA	DATE:	11-APR-78	SIZE CODE NUMBER REV	
JB	PN007	M	[H]						
JB	M7081-PN008	N	[J]						
JB	M7081-PN009	P	[K]	MFG,ENG.:	J. JOYCE	DATE:	11-APR-78	K	PL M7081-0-DBP T
JB	M7081-PN010	R	[L]						
JB	M7081-PN011	S	[M]	ASSEMBLY NUMBER:		TOP DOCUMENT NUMBER:		FILE NAME:	EDIT #
JB	M7081-PN012	T	[N]	E-UA-M7081-0-00		B-DD-M7081-0-0		M7081T,PLS	29

"THIS DRAWING AND SPECIFICATIONS HEREIN, ARE THE PROPERTY OF DIGITAL EQUIPMENT CORPORATION AND SHALL NOT BE REPRODUCED OR COPIED OR USED IN WHOLE OR IN PART AS THE BASIS FOR THE MANUFACTURE OR SALE OF ITEMS WITHOUT WRITTEN PERMISSION. COPYRIGHT (C) 1981. DIGITAL EQUIPMENT CORPORATION"

LINE	ITEM	DOCUMENT NUMBER	PART NUMBER	DESCRIPTION	QTY	PER	00	YB	YC	VARIATION	REFERENCE DESIGNATOR		
29	29		1300171-00	10.0	1.0	W	5.0	8	CC	1	1	1	R22
30	30		1300295-00	330.0		.25	W	5.0	CC	3	3	3	R12,R69,R96
31	31		1300316-00	470.0		.25	W	5.0	CC	3	3	3	R15,R162,R163
32	32		1300365-00	1.0	K	.25	W	5.0	CC	29	29	29	R3,R4,R11,R13,R14,R20,R21,H23, CONT R24,R27,R30,R36,R37,R49,R67,R68, CONT R70,R71,R79,R94,R80,R52,R53,R56, CONT R57,R62,R65,R63,R64
33	33		1300391-00	1.50	K	.25	W	5.0	CC	6	6	6	H1,R2,R5,R6,R9,R10
34	34		1300415-00	2.20	K	.50	W	5.0	CC	2	2	2	R17,R136
35	35		1300417-00	2.20	K	.25	W	5.0	CC	8	8	8	R16,R76,R85-R87,R89,R90,R92
36	36		1300426-00	2.70	K	.25	W	5.0	CC	2	2	2	R73,R75
37	37		1300447-00	4.70	K	.25	W	5.0	CC	17	17	17	R8,R18,R19,R66,R91,R82,R93,R99, CONT R103,R111,R120,R122,R125,R128, CONT R131,R134,R175
38	38		1300479-00	10.0	K	.25	W	5.0	CC	9	9	9	R40,R42,R46,R47,R88,R95,R97,R98, CONT R168
39	39		1301327-00	68.0	K	.25	W	5.0	CC	2	2	2	R50,R41
40	40		1301422-00	7.50	K	.25	W	5.0	CC	8	8	8	R33,R34,R38,H39,R54,R55,R58,R59
41	41		1303048-00	560.0		1.0	W	5.0	CC	6	6	6	R25,R26,R164-R167
42	42		1304839-00	51.0	K	.25	W	5.0	CC	1	1	1	R174
43	43		1304854-00	5.11	K	.25	W	1.0	RN55D-F10	4	4	4	R28,R32,R35,R44
44	44		1305346-00	27.0	K	.25	W	5.0	CC	4	4	4	R72,R74,R100,R137
45	45		1309422-00	5.10		.25	W	5.0	CC	1	1	1	R31
46	46		1309595-00	1.0	M	.25	W	5.0	CC	8	8	8	R7,R102,R110,R121,R124,R127, CONT R130,R133
47	47		1310606-00	75.0		10.0	W	5.0	WH	2	2	2	R138,R139
48	48		1310881-04	150.0		.25	W	5.0	FUSE	2	2	2	R160,R161
49	49		1312618-00	16.90	K	.25	W	1.0	RN55D-F10	1	1	1	H60
50	50		1312928-00	51.0		.25	W	5.0	CC	1	1	1	H29
51	51		1313844-00	221.0	K	.25	W	1.0	RN45D-F10	1	1	1	H48
52	52		1314515-00	1.50	K	1.0	W	5.0	CC	7	7	7	R101,R112,R123,R126,R129,R132, CONT R135
53	53		1314516-00	200.0	K	.25	W	5.0	CC	1	1	1	R43
54	54		1314547-00	.075		3.0	W	3.0	WH	1	1	1	R140
55	55		1316105-00	1.82		5.0	W	1.0	WH	7	7	7	R141-R146,R149
56	56		1314988-00	6.65	K	.25	W	1.0	RN55D-F10	1	1	1	R61
57	57		1314989-00	11.30	K	.25	W	1.0	RN55D-F10	1	1	1	R51
58	58		1314990-00	158.0	K	.25	W	1.0	RN55D-F10	1	1	1	R45
59	59		1510705-00	XA 05		NPN	500MW	SI 60 50 P		3	3	3	Q2,Q3,Q6
60	60		1510706-00	XA 55		PNP	500MW	SI 60 50 P		6	6	6	Q1,Q4,Q5,Q7,Q8,Q37
61	61		1511282-00	MJ2500		PNP	150WC	SI 60 5 1K 5A		3	3	3	Q10,Q30,Q31
62	62		1511349-00	TIP 640	(OR MJ3000)	NPN	DARLINT			3	3	3	Q9,Q27,Q28
63	63		1514508-00	TIP 121		NPN	65W	SI 80 1000 8		11	11	11	Q12-Q16,Q19,Q32-Q36
64	64		1514509-00	TIP 125		PNP	65W	SI 60 500 8A		1	1	1	Q11
65	65		1809880-06	XTAL	18,000		MHZ			1	1	1	Y1
66	66		1910298-00		741	OP	AMP	GEN PURP. COM		1	1	1	E10
67	67		1910322-00	DEC	1488L	DRIVER,	LINE,	QUAD,EI		1	1	1	E38
68	68		1910741-00		7406	INVERTER	GATE=	HEX 11		2	2	2	E3,E30

D	I	G	I	T	A	L	TITLE	PRINTER LOGIC AND POWER BOARD	SECTION A	OF A	SIZE	CODE	DOCUMENT NUMBER	REV
											K	PL	M7081-0-DBP	T

LINE	ITEM	DOCUMENT NUMBER	PART NUMBER	DESCRIPTION	QTY PER VARIATION			REFERENCE DESIGNATOR
					00	YB	YC	
69	69		1911469-00	DEC 8640 RECEIVER,BUS,QUAD,U	1	1	1	E26
70	70		1912697-00	LS174 FF-D HEX W/CLEAR	1	1	1	E29
71	71		1912799-00	LS00 NAND-GATE=QUAD 2IN,P	3	3	3	E15,E19,E27
72	72		1912801-00	LS02 NOR-GATE=QUAD 2IN	1	1	1	E16
73	73		1912803-00	74LS04 INVERTER GATE,HEX 11	1	1	1	E14
74	74		1912816-00	LS32 OR GATE=QUAD 2IN,POS	1	1	1	E21
75	75		1912846-00	LS155 DECODER,2 OF 4(DUAL)	1	1	1	E35
76	76		1912853-00	LS175 FF-D QUAD	1	1	1	E34
77	77		1913105-00	PB 8224C DRIVER/GEN CLOCK F	1	1	1	E23
78	78		1913109-00	8228 BUFFER,DATA BASE FOR	1	1	1	E24
79	79		1913130-00	DEC 1489A RECEIVER,LINE,QUAD,	2	2	2	E37,E41
80	80		1914156-00	LM 393 VOLT,COMPARATOR DUAL	2	2	2	E11,E43
81	81		1914213-00	81LS97 BUFFER GATE-OCTAL 2I	1	1	1	E5
82	82		1914519-00	CURRENT REGULATOR CI	2	2	2	E40,E45
83	83		1914560-00	LS368 DRIVER,BUS,HEX,TRI-	4	4	4	E1,E2,E32,E44
84	84		2113107-01	P 8251A PUSART COMM. INTERFA	1	1	1	E28
85	85		2113108-00	8080A MICROPROCESSOR 8-BIT	1	1	1	E22
86	86		2113954-00	DC 305 INTERFACE CHIP NT	1	1	1	E25
87	87		2114212-01	P 2114 RAM,1024X4,STATIC 18	4	4	4	E9,E18,E7,E13
88	88		2114524-01	ROM 100X14BIT,ERASABLE,	1	1	1	E39
89	89		23003E2-00	E2-01	1	-	-	E6
90	90		23004E2-00	E2-01	1	-	-	E8
91	91		23005E2-00	E2-01	1	-	-	E12
92	92		23006E2-00	E2-01	1	-	-	E17
93	93		23007E2-00	E2-01	1	-	-	E4
94	94		7420248-00	HEAT SINK	1	1	1	
95	95		9008033-01	SCREW,PAN,PHIL 4-40X 9/16 SS	26	26	26	
96	96		9006508-00	RIVET, BLIND, .125 DIA X .419 LG	2	2	2	
97	97		9006658-00	WASHER, FLAT, .375 O.D. X .144 I	2	2	2	
98	98		9006721-00	WASHER, SPECIAL INSULATING, #294	7	7	7	
99	99		9007213-00	FUSE,SLO BLO 1-1/2 A,250V GLASS	1	1	1	F1
100	100		9007879-00	FUSE,SLO BLO 2-1/2 A,250V GLASS	1	1	1	F2
101	101		9008268-00	COMPOUND, THERMAL JOINT	A/R	A/R	A/R	
102	102		9009185-00	JUMPER, WIRE, INSULATED, BLACK B	19	-	-	w1-w7,w9-w12,w21-w27,w29
			CONT		-	18	18	w1-w7,w9-w12,w21-w27
103	103		9009513-00	CLIP, FUSE WITH STOP, FOR P.C. B	4	4	4	
104	104		9009597-00	INSULATOR, THERMA-FILM	12	12	12	
105	105		9009769-00	WASHER, RECTANGULAR .405X.225X.0	12	12	12	
106	106		9009990-00	NUT,KEP , 4-40 X1/4 AF	26	26	26	
107	107		9006632-00	WASHER,LOCK,INT,.2600D X .120ID	14	14	14	
108	108		9105740-00	*** THIS ITEM IS NOT USED ***	-	-	-	
109	109		1302514-00	39.0 K .25 * 5.0 % CC	1	1	1	H169
110	24		1214630-00	*** THIS ITEM IS NOT USED ***	-	-	-	
111	111		1000024-00	470.0 MMF 100V 5%200PPM MICA	1	1	1	C90
112	112		1100100-00	D 003 TR= 50NS PIV= 25V GN	1	1	1	D90
113	113		1010279-00	.47 MFD 25V 20% CER	1	1	1	C93
114	114		9105740-55	*** THIS ITEM IS NOT USED ***	-	-	-	
115	115		1001610-01	.01 MFD50/100V +80-20% DISC	1	1	1	C94

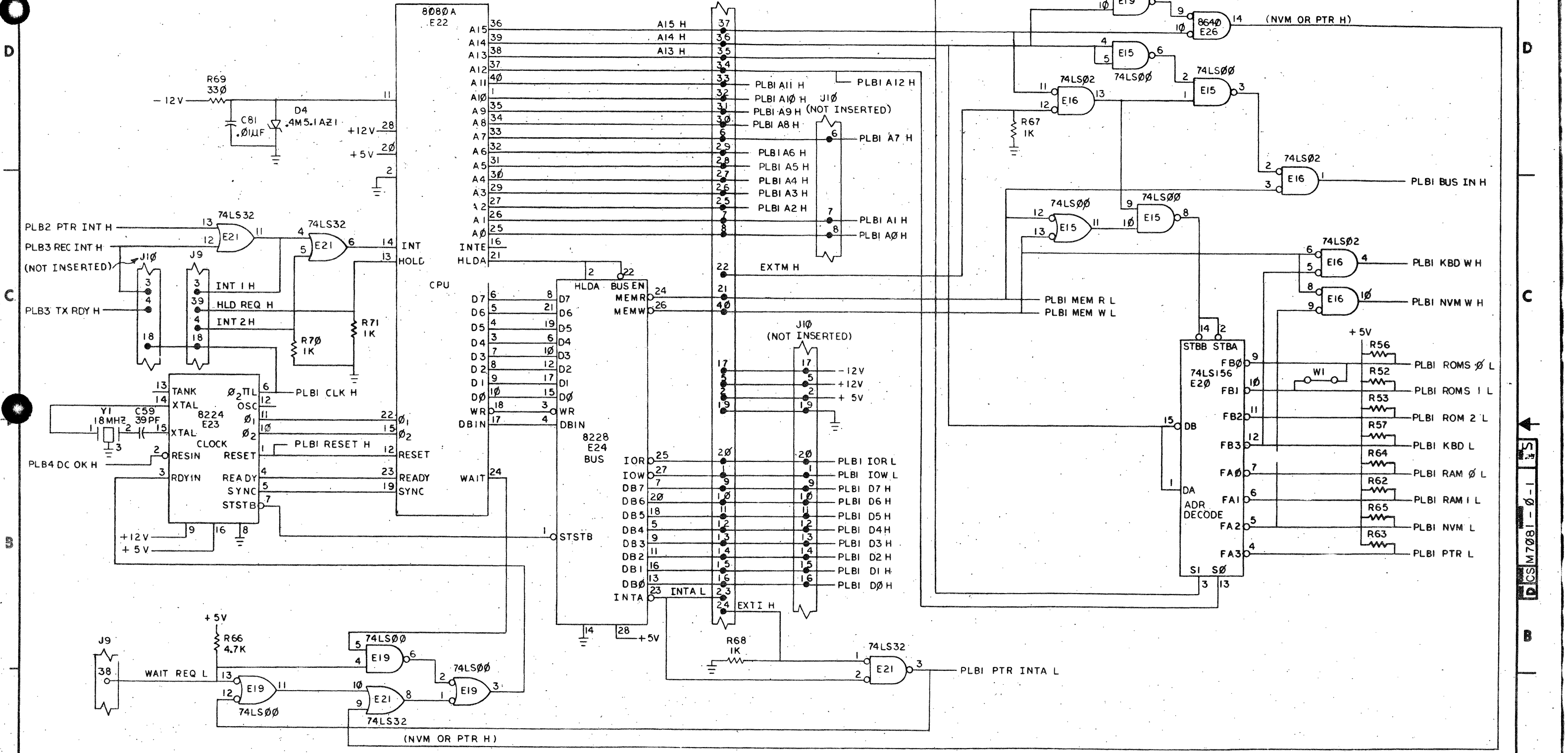
DI	IG	IT	AL	TITLE	SECTION A OF A	SIZE	CODE	DOCUMENT NUMBER	REV
				PRINTER LOGIC AND POWER BOARD				N7061-0-DBP	T

LINE	ITEM	DOCUMENT NUMBER	PART NUMBER	DESCRIPTION	QTY PER VARIATION			REFERENCE DESIGNATOR
					00	YB	YC	
116	116		1913950-00	LS156 DECODER, 2 OF 4(DUAL)	1	1	1	E20
117	117		23086E2-00	E2-02	-	1	-	E4
118	118		23004E4-00	E4-02	-	1	-	E6
119	119		1215899-01	CLIP, JUMPER, .400CENTERS	-	1	1	W29
120	120		1215901-01	HEADER 2PIN STRAIGHT	-	1	1	W29
121	121		1209941-03	HEADER RT ANGLE LEFT L	1	1	1	
122	122		1209941-04	HEADER RT ANGLE, RIGHT	1	1	1	
123	123	A-SP-3700443-0-0	3700443-00	INSTR PKG MODULE M7081	REF	REF	REF	
124	124	A-SP-3700428-0-0	3700428-03	PKG BULK CARTON 99-06476-26	REF	REF	REF	

- 125 NOTE: FOR INDIVIDUAL FIELD SERVICE/CUSTOMER SPARES SHIPMENTS USE
- 126 NOTE: PACKAGING INSTRUCTIONS A-SP-3700443-0-0, VARIATION 00 FOR
- 127 NOTE: BULK INTERPLANT SHIPMENTS USE PACKAGING INSTRUCTIONS
- 128 NOTE: A-SP-3700428-0-0, VARIATION 03.

D	I	G	I	T	A	L	TITLE	SECTION A OF A	SIZE	CODE	DOCUMENT NUMBER	REV
							PRINTER LOGIC AND POWER BOARD		K	PI	M7081-0-DBP	T

THIS DRAWING AND SPECIFICATIONS, HEREIN, ARE THE PROPERTY OF DIGITAL EQUIPMENT CORPORATION AND SHALL NOT BE REPRODUCED OR COPIED OR USED IN WHOLE OR IN PART AS THE BASIS FOR THE MANUFACTURE OR SALE OF ITEMS WITHOUT WRITTEN PERMISSION. COPYRIGHT © 1975, DIGITAL EQUIPMENT CORPORATION

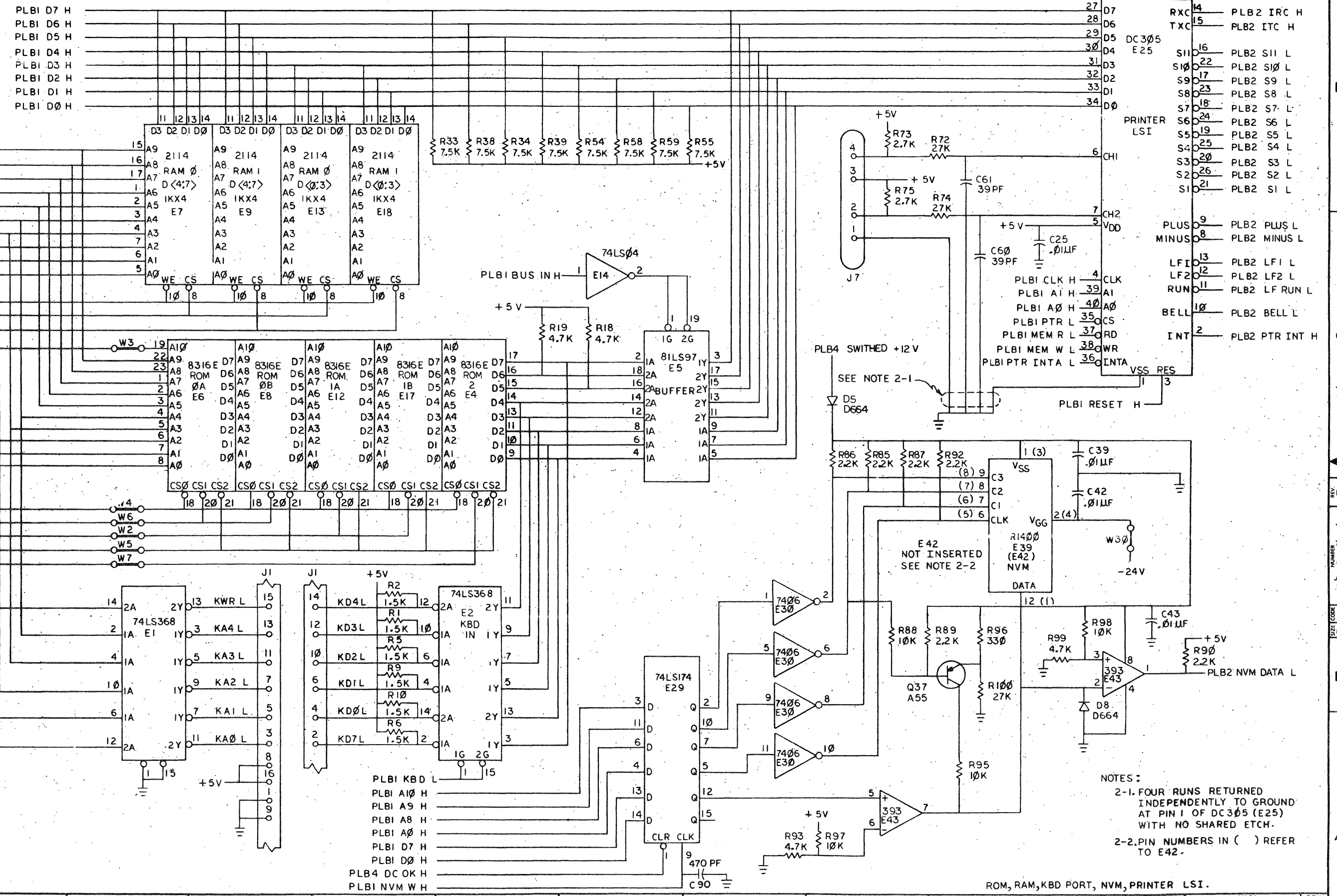


REV.	CHG.	BY	DATE
1		J. BITTO	1-11-77
2		J. BITTO	1-11-77
3		J. BITTO	1-11-77
4		J. BITTO	1-11-77
5		J. BITTO	1-11-77
6		J. BITTO	1-11-77
7		J. BITTO	1-11-77
8		J. BITTO	1-11-77
9		J. BITTO	1-11-77
10		J. BITTO	1-11-77
11		J. BITTO	1-11-77
12		J. BITTO	1-11-77
13		J. BITTO	1-11-77
14		J. BITTO	1-11-77
15		J. BITTO	1-11-77
16		J. BITTO	1-11-77
17		J. BITTO	1-11-77
18		J. BITTO	1-11-77
19		J. BITTO	1-11-77
20		J. BITTO	1-11-77
21		J. BITTO	1-11-77
22		J. BITTO	1-11-77
23		J. BITTO	1-11-77
24		J. BITTO	1-11-77
25		J. BITTO	1-11-77
26		J. BITTO	1-11-77
27		J. BITTO	1-11-77
28		J. BITTO	1-11-77
29		J. BITTO	1-11-77
30		J. BITTO	1-11-77
31		J. BITTO	1-11-77
32		J. BITTO	1-11-77
33		J. BITTO	1-11-77
34		J. BITTO	1-11-77
35		J. BITTO	1-11-77
36		J. BITTO	1-11-77
37		J. BITTO	1-11-77
38		J. BITTO	1-11-77
39		J. BITTO	1-11-77
40		J. BITTO	1-11-77

CPU, CLOCK, BUS, ADR DECODE.

DRN: <i>[Signature]</i>	FIRST USED ON: LA120
CHK'D: <i>[Signature]</i>	TITLE: PRINTER LOGIC AND POWER BOARD (PLBI)
ENG: <i>[Signature]</i>	PROD. DATE: 1-11-77
PROJ. ENG: <i>[Signature]</i>	REV. S
NEXT HIGHER ASSY.	SIZE CODE: D CS M7081-0-1
B-DD-M7081-0	NUMBER: 1
SCALE: 1/1	SHEET: 1 OF 6

"THIS DRAWING AND SPECIFICATIONS, HEREIN, ARE THE PROPERTY OF DIGITAL EQUIPMENT CORPORATION AND SHALL NOT BE REPRODUCED OR COPIED OR USED IN WHOLE OR IN PART AS THE BASIS FOR THE MANUFACTURE OR SALE OF ITEMS WITHOUT WRITTEN PERMISSION. COPYRIGHT © 1971 DIGITAL EQUIPMENT CORPORATION"



NOTES:
 2-1. FOUR RUNS RETURNED INDEPENDENTLY TO GROUND AT PIN 1 OF DC305 (E25) WITH NO SHARED ETCH.
 2-2. PIN NUMBERS IN () REFER TO E42.

ROM, RAM, KBD PORT, NVM, PRINTER LSI.

REVISIONS		
CHK	CHANGE NO.	REV.

TITLE	PRINTER LOGIC AND POWER BOARD (PLB2)	SIZE/REV	D/CS	NUMBER	M7081-0-1	REV.	S
SCALE		SHEET	2	OF	6	DIST.	

"THIS DRAWING AND SPECIFICATIONS HEREIN ARE THE PROPERTY OF DIGITAL EQUIPMENT CORPORATION AND SHALL NOT BE REPRODUCED OR COPIED OR USED IN WHOLE OR IN PART AS THE BASIS FOR THE MANUFACTURE OR SALE OF ITEMS WITHOUT WRITTEN PERMISSION. COPYRIGHT © 1978 DIGITAL EQUIPMENT CORPORATION"

D

D

C

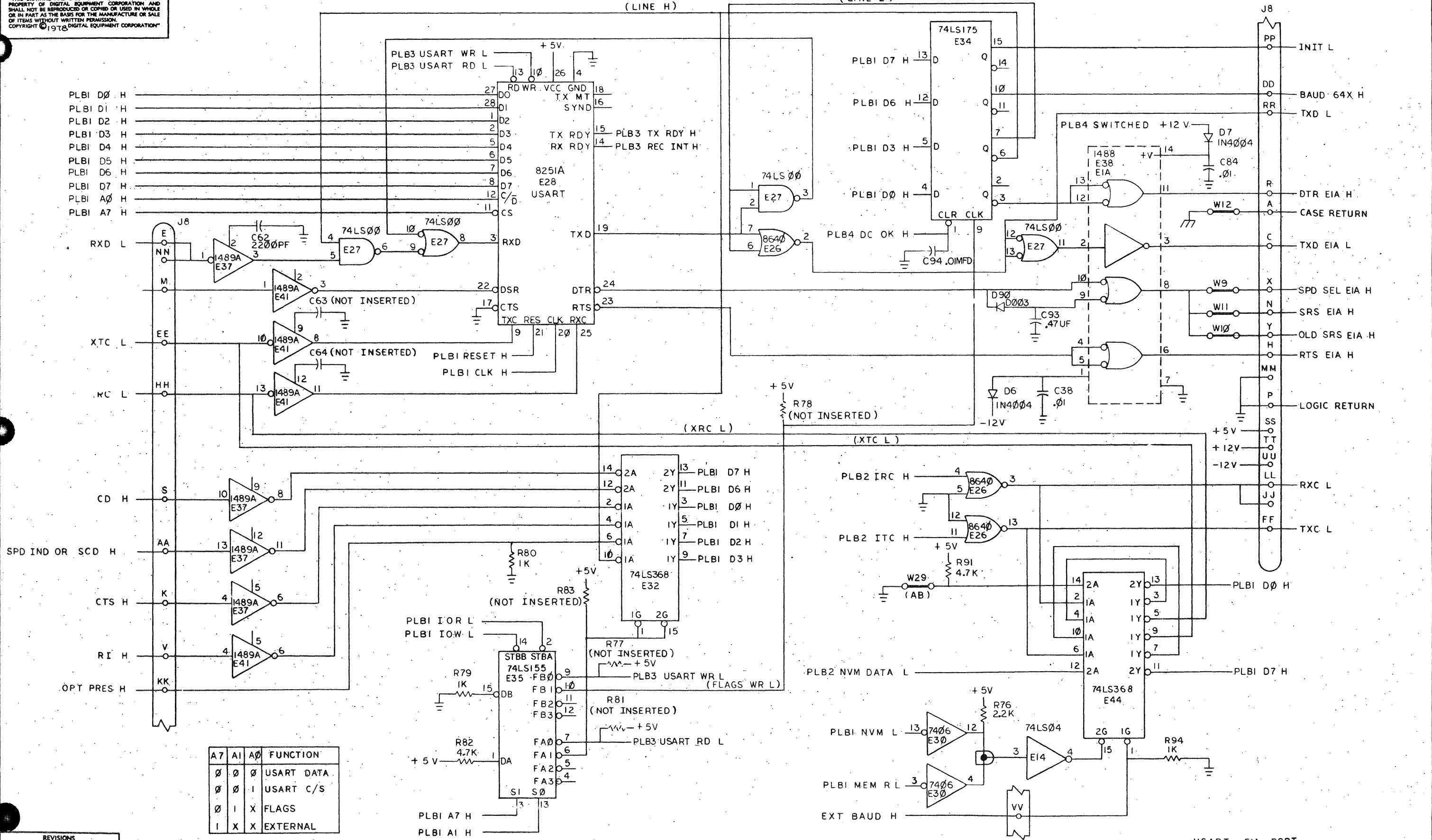
C

B

B

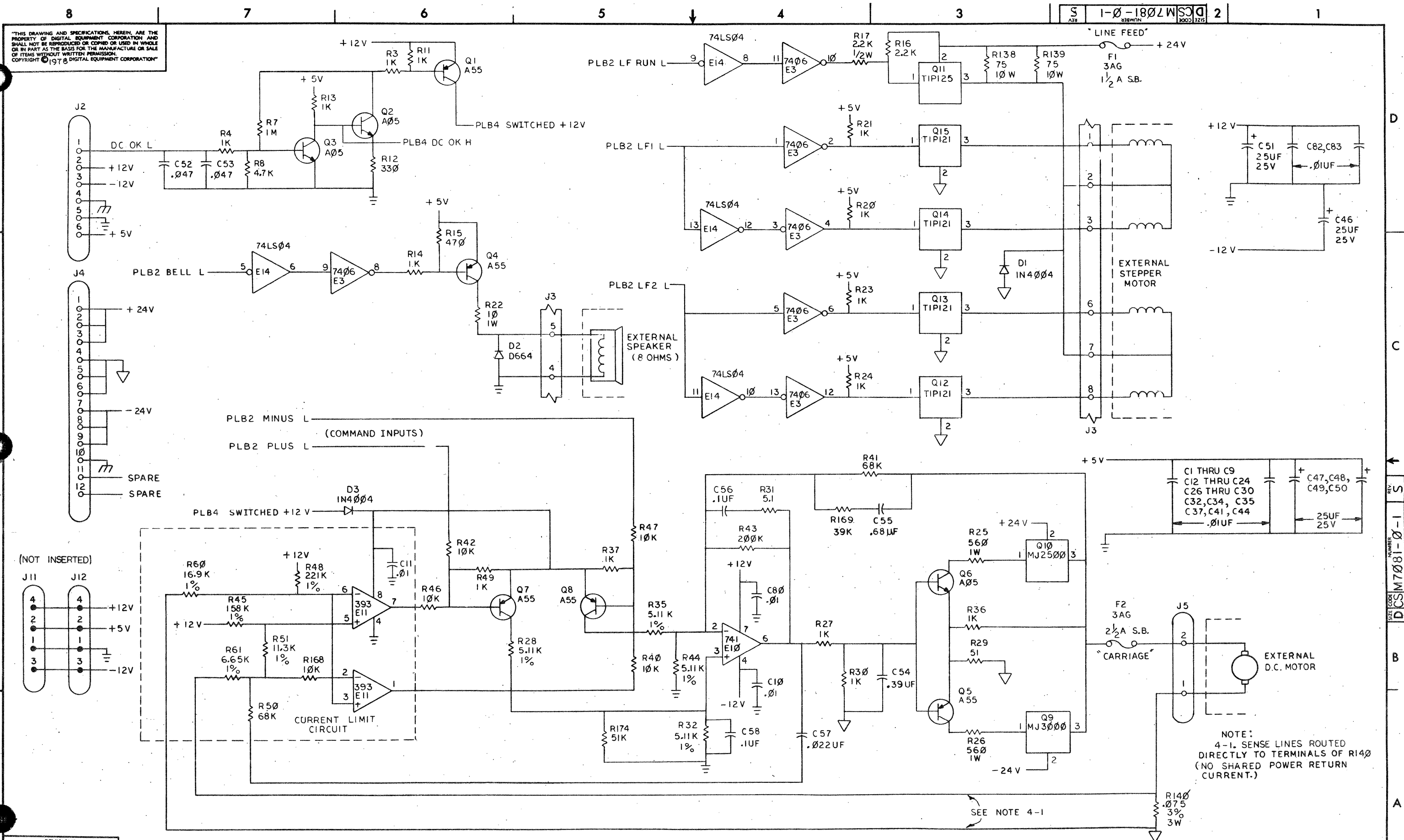
A

A



A7	A1	A0	FUNCTION
0	0	0	USART DATA
0	0	1	USART C/S
0	1	X	FLAGS
1	X	X	EXTERNAL

REVISIONS		
CHK	CHANGE NO.	REV.



"THIS DRAWING AND SPECIFICATIONS, HEREIN, ARE THE PROPERTY OF DIGITAL EQUIPMENT CORPORATION AND SHALL NOT BE REPRODUCED OR COPIED OR USED IN WHOLE OR IN PART AS THE BASIS FOR THE MANUFACTURE OR SALE OF ITEMS WITHOUT WRITTEN PERMISSION. COPYRIGHT © 1978 DIGITAL EQUIPMENT CORPORATION"

1-0-18072 MSCD 2

C1 THRU C9
C12 THRU C24
C26 THRU C30
C32, C34, C35
C37, C41, C44
0.1UF

C47, C48,
C49, C50
25UF
25V

NOTE:
4-1. SENSE LINES ROUTED DIRECTLY TO TERMINALS OF R140 (NO SHARED POWER RETURN CURRENT.)

SEE NOTE 4-1

REVISIONS		
CHK	CHANGE NO.	REV.

CARRIAGE, LF, BELL AMPS, PWR ENTRY

TITLE PRINTER LOGIC AND POWER BOARD (PLB4)

SCALE / / SHEET 4 OF 6

SIZE CODE DIST.

NUMBER DCSM7081-0-1

REV. S

"THIS DRAWING AND SPECIFICATIONS, HEREIN, ARE THE PROPERTY OF DIGITAL EQUIPMENT CORPORATION AND SHALL NOT BE REPRODUCED OR COPIED OR USED IN WHOLE OR IN PART AS THE BASIS FOR THE MANUFACTURE OR SALE OF ITEMS WITHOUT WRITTEN PERMISSION. COPYRIGHT © 1970 DIGITAL EQUIPMENT CORPORATION"

D

C

B

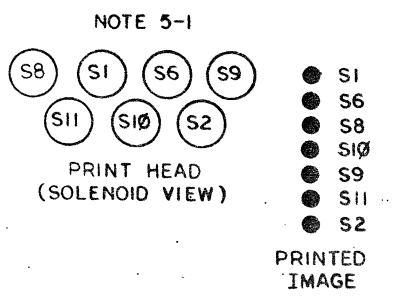
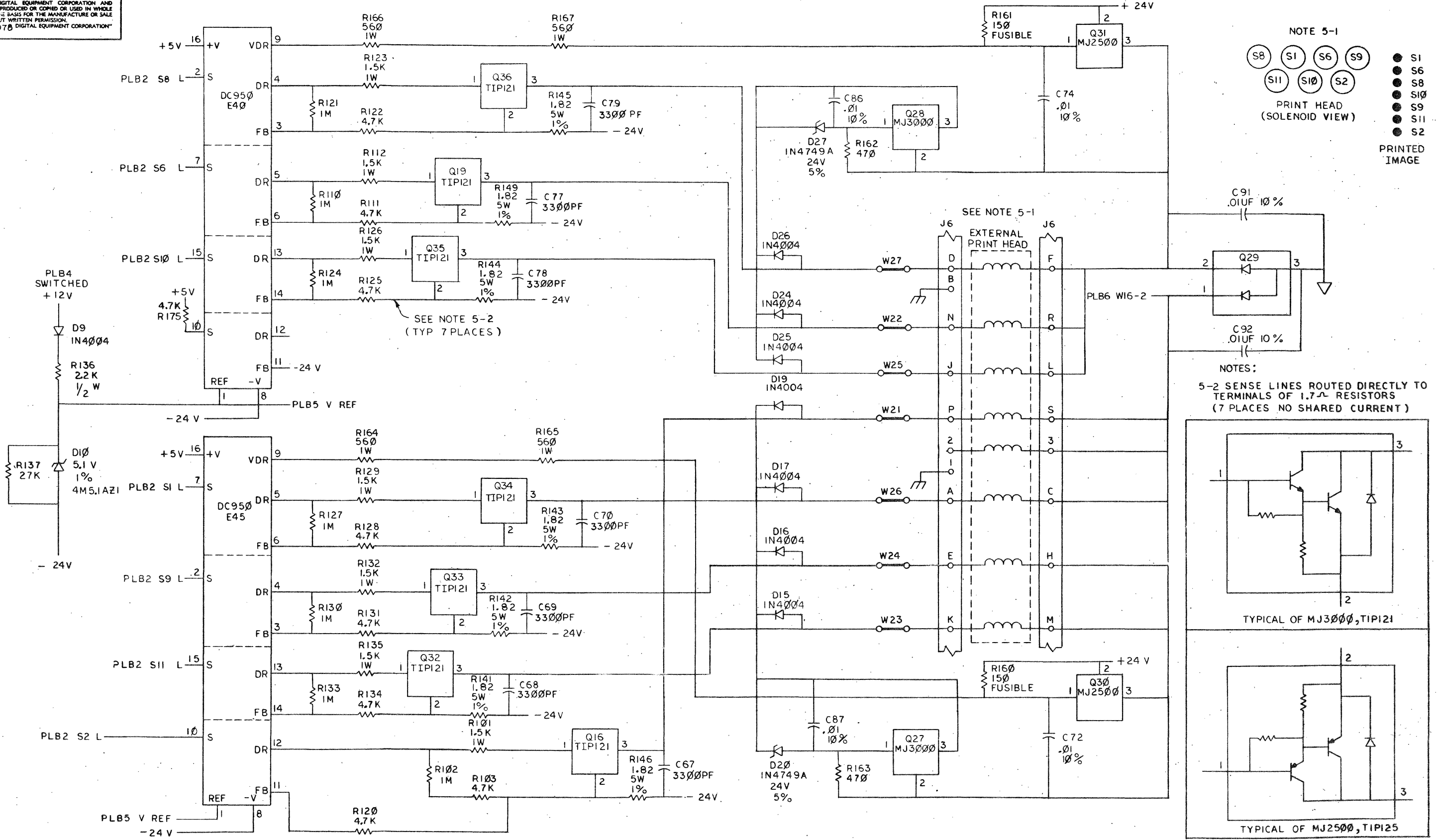
A

D

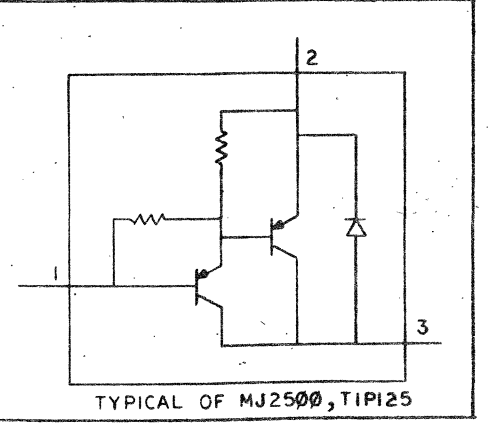
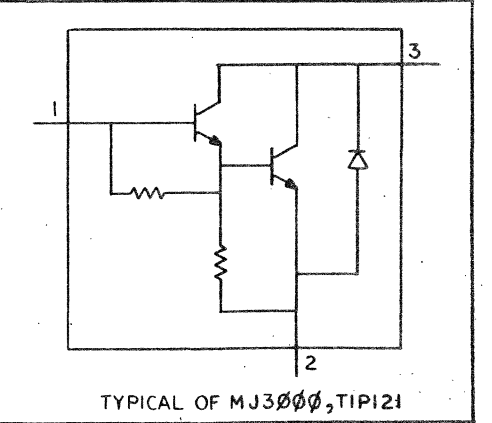
C

B

A

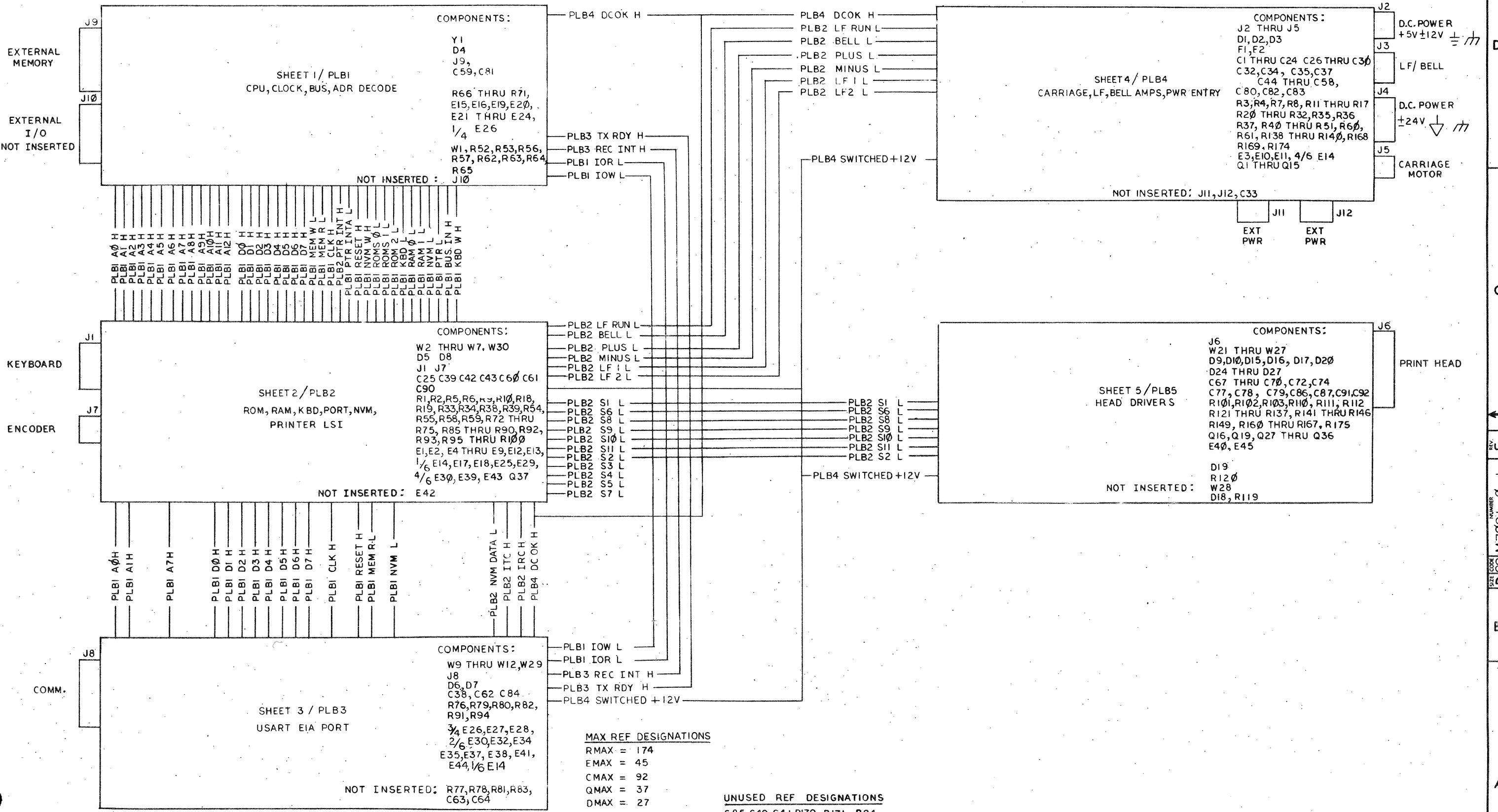


NOTES:
5-2 SENSE LINES ROUTED DIRECTLY TO TERMINALS OF 1.7Ω RESISTORS (7 PLACES NO SHARED CURRENT)



REVISIONS		
CHK	CHANGE NO.	REV.

"THIS DRAWING AND SPECIFICATIONS, HEREIN, ARE THE PROPERTY OF DIGITAL EQUIPMENT CORPORATION AND SHALL NOT BE REPRODUCED OR COPIED OR USED IN WHOLE OR IN PART AS THE BASIS FOR THE MANUFACTURE OR SALE OF ITEMS WITHOUT WRITTEN PERMISSION. COPYRIGHT © 1978 DIGITAL EQUIPMENT CORPORATION"

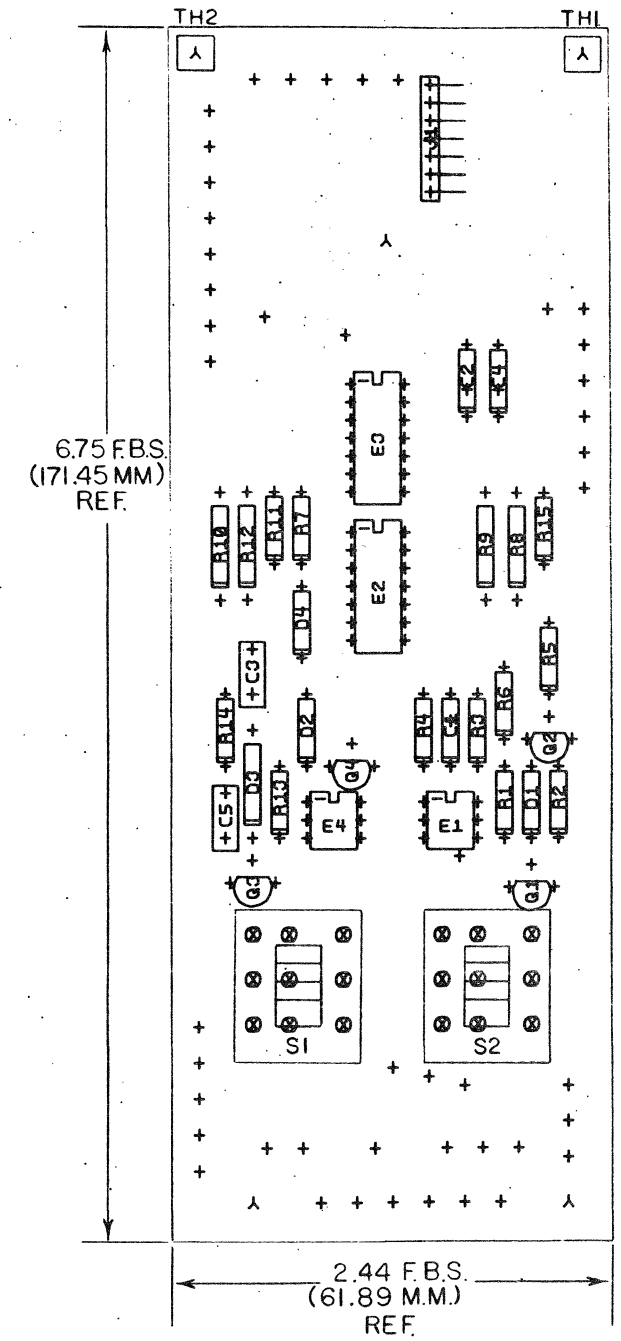


MAX REF DESIGNATIONS
 RMAX = 174
 EMAX = 45
 CMAX = 92
 QMAX = 37
 DMAX = 27
 FMAX = 2
 WMAX = 30

UNUSED REF DESIGNATIONS
 C85, C40, C41, R170, R171, R84

REVISIONS		
CHK	CHANGE NO.	REV.

COMPONENT SIDE VIEW



THIS DRAWING AND SPECIFICATIONS, WHETHER AND THE PROPERTY OF NORTH ELECTRIC CORPORATION AND SHALL NOT BE REPRODUCED OR COPIED IN WHOLE OR IN PART OR FOR ANY PURPOSES OR FOR THE SALE OF THIS DRAWING WITHOUT WRITTEN PERMISSION. COPYRIGHT © 1977 NORTH ELECTRIC CORPORATION

NOTES:

CHG	NO	REV	

ETCH REV.	C
P.C. DESIGN DATA BASE REV.	C

SIGNATURES		DATE	digital
DRN. <i>Vincent Caschpan</i>		11-16-77	
CHK'D. <i>John P. ...</i>		11-16-77	TITLE 20 MA-ADAPTER
ENG. <i>Mike ...</i>		1-13-78	
PROJ. ENG. <i>...</i>		5/12/78	SIZE CODE NUMBER REV 0 UA 5413206-0-0 B
PROD. <i>...</i>		6/13/78	
SCALE 2/1			
SHT. 1 OF 3			
NEXT HIGHER ASSY. B-DD-5413206-0			

THIS DRAWING AND SPECIFICATIONS ARE THE PROPERTY OF DIGITAL EQUIPMENT CORPORATION AND SHALL NOT BE REPRODUCED OR COPIED OR USED IN WHOLE OR IN PART AS THE BASIS FOR THE MANUFACTURE OF ITEMS WITHOUT WRITTEN PERMISSION. COPYRIGHT © 1977 DIGITAL EQUIPMENT CORPORATION.

DJA 5413206-0-0 B 2

5013205C
5413206

5013205C
5413206

5013205C
5413206

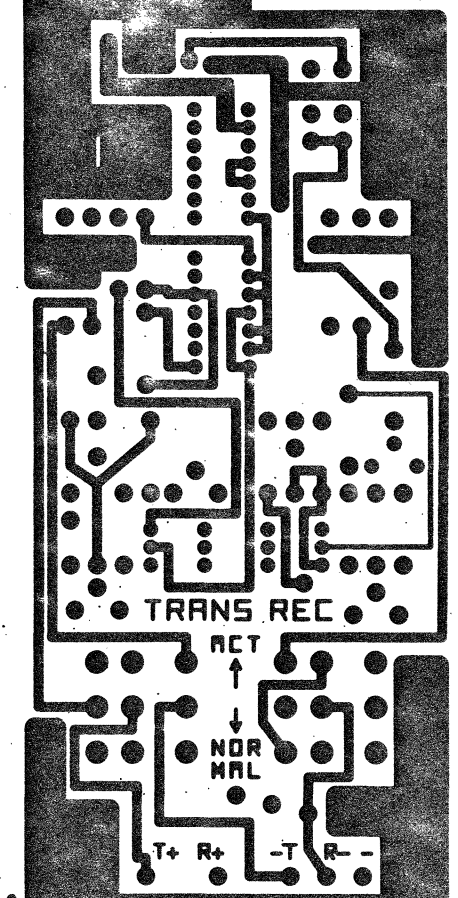
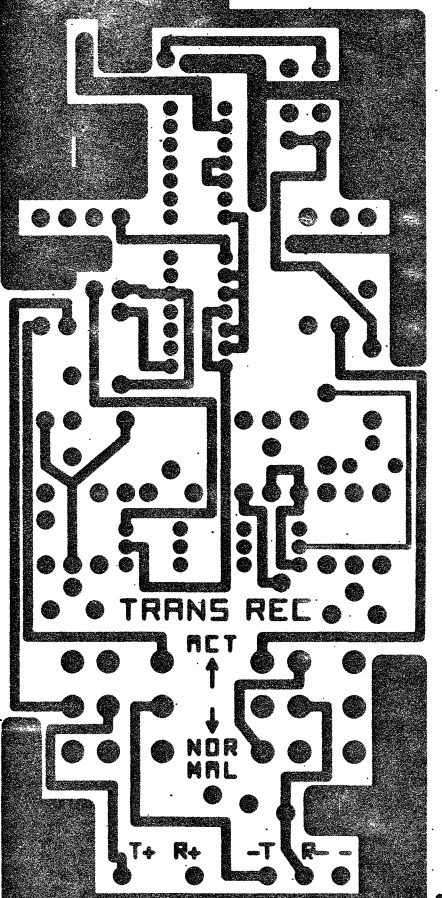
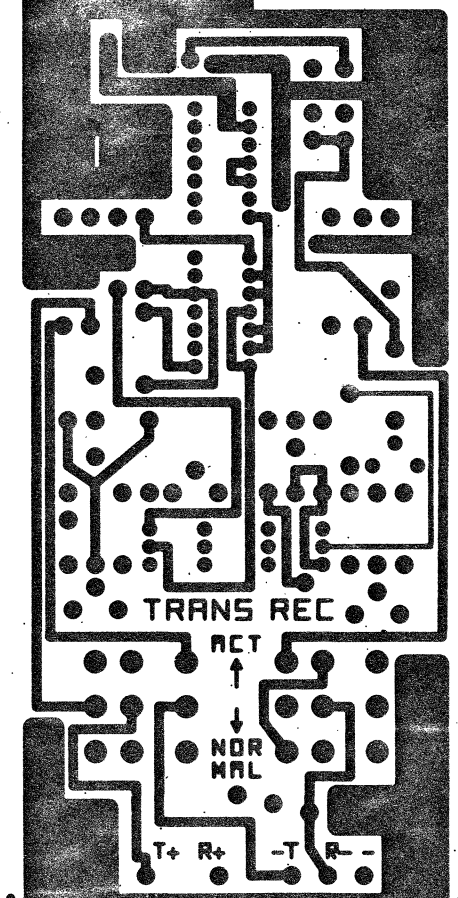
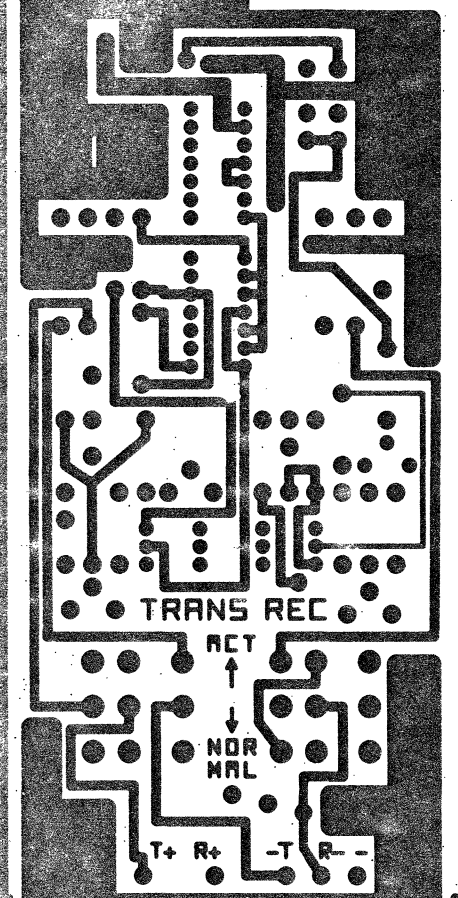
5013205C
5413206

SIDE 1
PROTGND
XMIT
REC
SIGGND
+5
-12
CS ABCDE

SIDE 1
PROTGND
XMIT
REC
SIGGND
+5
-12
CS ABCDE

SIDE 1
PROTGND
XMIT
REC
SIGGND
+5
-12
CS ABCDE

SIDE 1
PROTGND
XMIT
REC
SIGGND
+5
-12
CS ABCDE



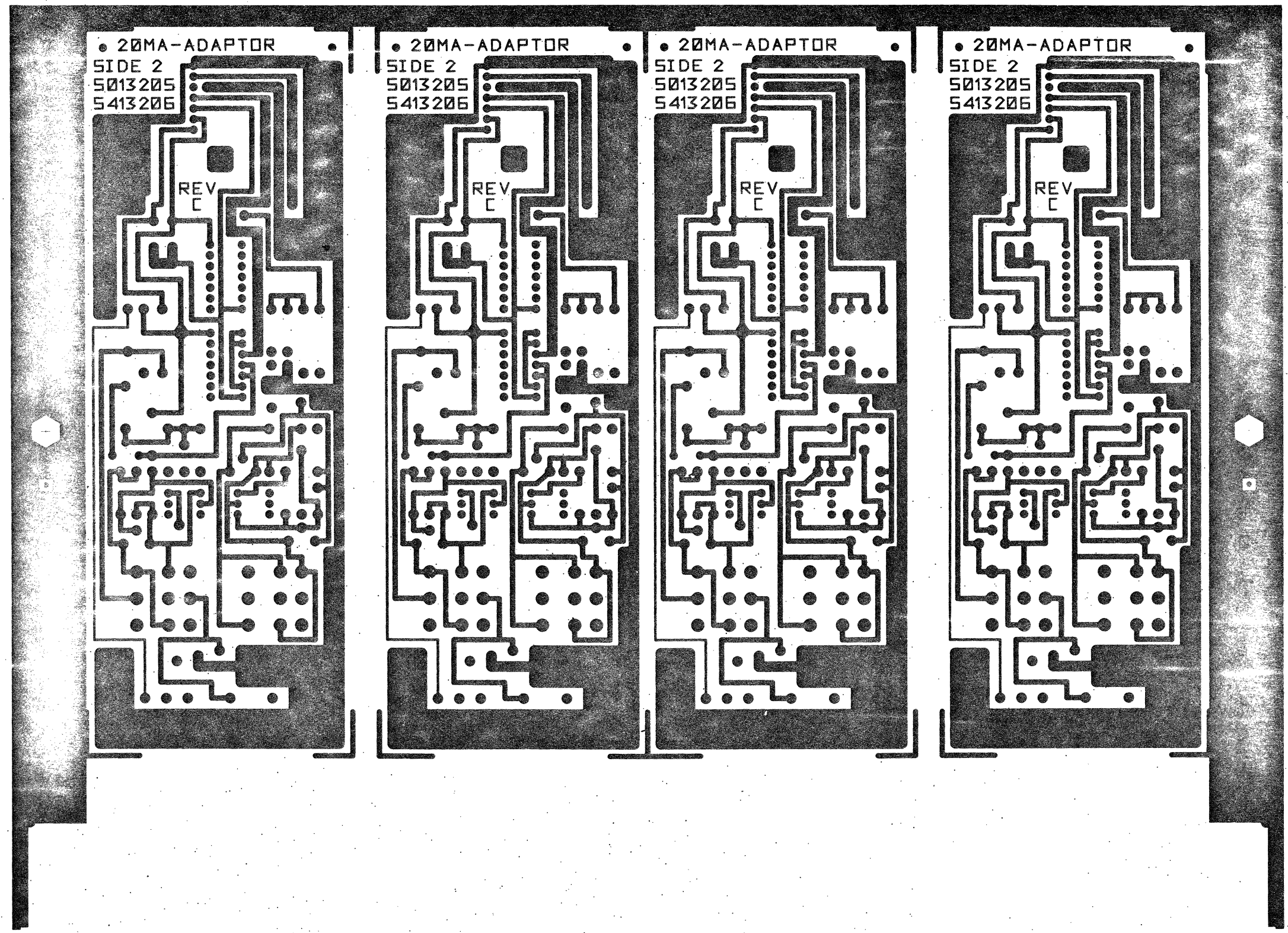
VIEWED FROM SIDE 1

REVISIONS		
CHK	CHANGE NO	RE.

TITLE	SIZE CODE	NUMBER	REV.
20 MA ADAPTOR	D UA	5413206-0-0 B	B
SCALE 2:1	SHEET 2 OF 3	DIST	

DJA 5413206-0-0 B

THIS DRAWING AND REVISIONS ARE THE PROPERTY OF DIGITAL EQUIPMENT CORPORATION AND SHALL NOT BE REPRODUCED OR COPIED OR USED IN WHOLE OR IN PART AS THE BASIS FOR THE MANUFACTURE OF ANY ITEM WITHOUT WRITTEN PERMISSION. DIGITAL EQUIPMENT CORPORATION. COPYRIGHT © 1978



VIEWED FROM SIDE 2

REVISIONS		
CHK	CHANGE NO	REV

TITLE	20 MA ADAPTOR	SIZE CODE	D UA	NUMBER	5413206-0-0	REV	B
SCALE	2:1	SHEET	3	OF	3	DIST	

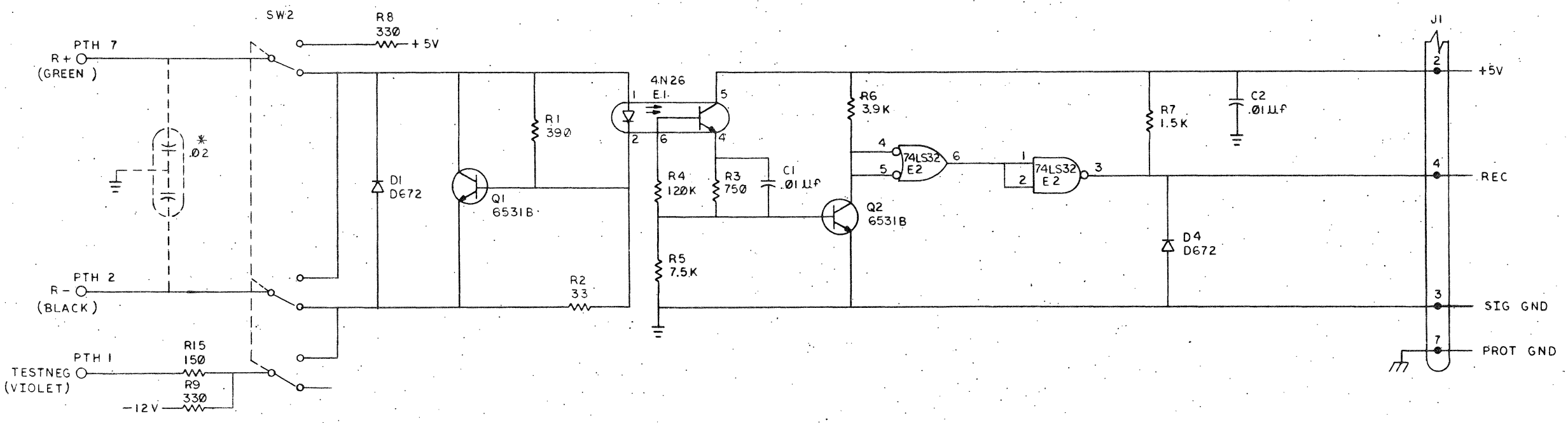
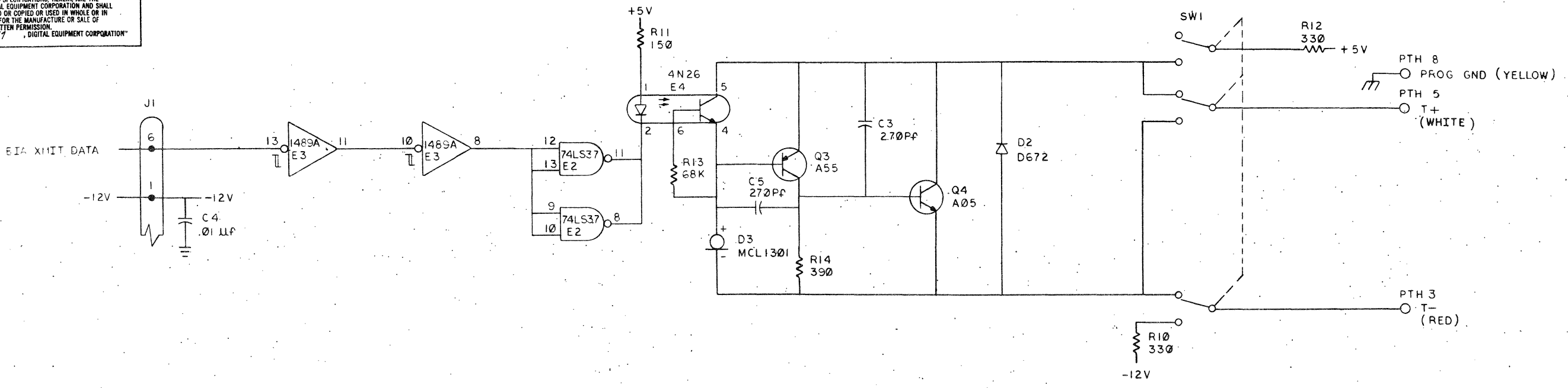
D UA 5413206-0-0 B

LINE	ITEM	DOCUMENT NUMBER	PART NUMBER	DESCRIPTION	QTY	PER VARIATION	REFERENCE DESIGNATOR
1	1	D-MD-5013205-0-0	5013205-00	ETCH BOARD FOR 5413206	1		
2	2		1000022-00	270.0 MMF 100V 5%200PPM MICA	2		C3,C5
3	3		1001610-00	.01 MFD 50V +80-20% 25U CER	3		C1,C2,C4
4	4		1105275-00	D 672 TR= 15NS PIV= 60V SI	3		D1,D2,D4
5	5		1105610-00	MCL1301 CL@1MA FROM10-80V	1		D3
6	6		1215048-01	CONN 7POS RT ANGLE	1		J1
7	7		1215089-00	SW,SLIDE 3P 1A DBLE THROW	2		S1,S2
8	8		1301522-00	27.0 .25 W 5.0 % CC	1		R2
9	9		1300250-00	150.0 .25 W 5.0 % CC	2		R11,R15
10	10		1300296-00	330.0 .50 W 5.0 % CC	4		R8,R9,R10,R12
11	11		1300309-00	390.0 .25 W 5.0 % CC	2		R1,R14
12	12		1300391-00	1.50 K .25 W 5.0 % CC	1		R7
13	13		1300444-00	3.90 K .25 W 5.0 % CC	1		R6
14	14		1300539-00	120.0 K .25 W 5.0 % CC	1		R4
15	15		1301327-00	68.0 K .25 W 5.0 % CC	1		R13
16	16		1301401-00	750.0 .25 W 5.0 % CC	1		R3
17	17		1301422-00	7.50 K .25 W 5.0 % CC	1		R5
18	18		1509338-00	DEC6531B NPN 310MA SI 40 90 P	2		Q1,Q2
19	19		1510705-00	XA 05 NPN 500MW SI 60 50 P	1		Q4
20	20		1510706-00	XA 55 PNP 500MW SI 60 50 P	1		Q3
21	21		1916959-00	PDTOTRANSISTOR	2		E1,E4
22	22		1912817-00	LS37 NAND GATE=QUAD 2IN,P	1		E2
23	23		1913130-00	DEC 14H9A RECEIVER,LINE,QUAD,	1		E3
24	24		1113003-00	IN 5282 PIV=55 I=500M D035	1		D5

REVISION HISTORY		BASIC PART NO: 5413206		DRN:	T. SHETRAWSKI	DATE:	30-MAR-78	DIGITAL			
ENG	ECO NUMBER	REV	SECTION A OF A	CHK'D:	T. SHETRAWSKI	DATE:	30-MAR-78	TITLE PARTS LIST			
---	INIT	B	SECTION VARIATION INDEX	DES.ENG:	M. MORGENSTERN	DATE:	30-MAR-78	DOCUMENT NUMBER			
JB	5413206-PN001	C	[A] 00	RESP.ENG.:	M. MORGENSTERN	DATE:	30-MAR-78	SIZE	CODE	NUMBER	REV
			[B]	MFG.ENG.:	T. CORCIARI	DATE:	30-MAR-78	K	PL	5413206-0-DBP	C
			[C]	ASSEMBLY NUMBER:		TOP DOCUMENT NUMBER:		FILE NAME:		EDIT #	
			[D]	ID-UA-5413206-0-0		IV100		13206C.PLS		6	
			[E]								
			[F]								
			[G]								
			[H]								
			[I]								
			[J]								
			[K]								
			[L]								
			[M]								
			[N]								

"THIS DRAWING AND SPECIFICATIONS HEREIN, ARE THE PROPERTY OF DIGITAL EQUIPMENT CORPORATION AND SHALL NOT BE REPRODUCED OR COPIED OR USED IN WHOLE OR IN PART AS THE BASIS FOR THE MANUFACTURE OR SALE OF ITEMS WITHOUT WRITTEN PERMISSION, COPYRIGHT (C) 1980, DIGITAL EQUIPMENT CORPORATION"

"THIS DRAWING AND SPECIFICATIONS, HEREIN, ARE THE PROPERTY OF DIGITAL EQUIPMENT CORPORATION AND SHALL NOT BE REPRODUCED OR COPIED OR USED IN WHOLE OR IN PART AS THE BASIS FOR THE MANUFACTURE OR SALE OF ITEMS WITHOUT WRITTEN PERMISSION. COPYRIGHT © 1977, DIGITAL EQUIPMENT CORPORATION"



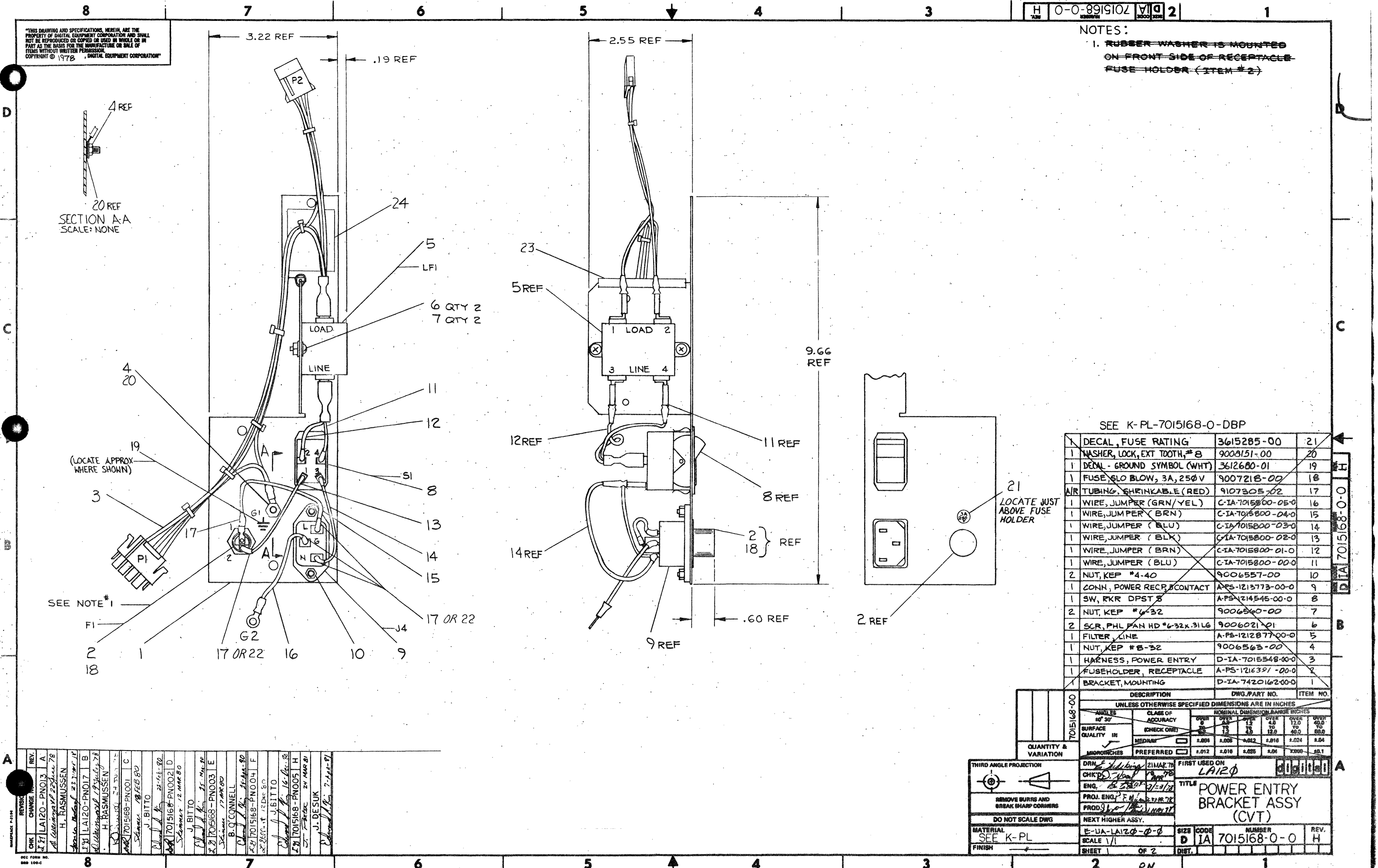
NOTE:
1. * OPTIONAL

DRN. <i>[Signature]</i>	FIRST USED ON	digital
CHK <i>[Signature]</i>	VT100	
ENG. <i>[Signature]</i>	TITLE	20 MA ADAPTOR
PROJ. ENG. <i>[Signature]</i>		
PROD. <i>[Signature]</i>		
NEXT HIGHER ASSY.		
D-UA-5413206-0-0	SIZE CODE	NUMBER
SCALE	D	CS 5413206-0-1
SHEET	OF	REV. B

REV.	
CHANGE NO.	
CHK	

"THIS DRAWING AND SPECIFICATIONS, HEREIN, ARE THE PROPERTY OF DIGITAL EQUIPMENT CORPORATION AND SHALL NOT BE REPRODUCED OR COPIED OR USED IN WHOLE OR IN PART AS THE BASIS FOR THE MANUFACTURE OR SALE OF ITEMS WITHOUT WRITTEN PERMISSION. COPYRIGHT © 1978, DIGITAL EQUIPMENT CORPORATION"

NOTES:
 1. RUBBER WASHER IS MOUNTED ON FRONT SIDE OF RECEPTACLE FUSE HOLDER (ITEM #2)



SEE K-PL-7015168-0-DBP

DESCRIPTION	DWG. PART NO.	ITEM NO.
DECAL, FUSE RATING	3615285-00	21
1 WASHER, LOCK, EXT TOOTH, #8	9008151-00	20
1 DECAL - GROUND SYMBOL (WHT)	3612680-01	19
1 FUSE, SLO BLOW, 3A, 250V	9007218-00	18
A/R TUBING, SHRINKABLE (RED)	9107305-02	17
1 WIRE, JUMPER (GRN/YEL)	C-IA-7015800-05-0	16
1 WIRE, JUMPER (BRN)	C-IA-7015800-04-0	15
1 WIRE, JUMPER (BLU)	C-IA-7015800-03-0	14
1 WIRE, JUMPER (BLK)	C-IA-7015800-02-0	13
1 WIRE, JUMPER (BRN)	C-IA-7015800-01-0	12
1 WIRE, JUMPER (BLU)	C-IA-7015800-00-0	11
2 NUT, KEP #4-40	9006557-00	10
1 CONN, POWER RECR, CONTACT	A-PS-1213773-00-0	9
1 SW, RKR DPST 8	A-PS-1214545-00-0	8
2 NUT, KEP #6-32	9006560-00	7
2 SCR, PHL FAN HD #6-32x.316	9006021-01	6
1 FILTER, LINE	A-PS-1212877-00-0	5
1 NUT, KEP #8-32	9006563-00	4
1 HARNESS, POWER ENTRY	D-IA-7015348-00-0	3
1 FUSEHOLDER, RECEPTACLE	A-PS-121391-00-0	2
1 BRACKET, MOUNTING	D-IA-7420162-00-0	1

UNLESS OTHERWISE SPECIFIED DIMENSIONS ARE IN INCHES	NOMINAL DIMENSION RANGE INCHES					
	OVER .50	OVER .75	OVER 1.0	OVER 1.25	OVER 1.5	OVER 2.0
CLASS OF ACCURACY (CHECK ONE)	±.004	±.005	±.007	±.010	±.012	±.015
SURFACE QUALITY IN	MEDIAN	PREferred				
MONORCHES						

THIRD ANGLE PROJECTION

REMOVE BURRS AND BREAK SHARP CORNERS

DO NOT SCALE DWG

MATERIAL SEE K-PL

FINISH

QUANTITY & VARIATION

DRN: *[Signature]* 21 MAR 78

CHK'D: *[Signature]* 18 MAR 78

ENG: *[Signature]* 2/23/78

PROJ. ENG: *[Signature]* 2 MAR 78

PROD: *[Signature]* 2 MAR 78

FIRST USED ON LA120

TITLE POWER ENTRY BRACKET ASSY (CVT)

MATERIAL SEE K-PL

SCALE 1/1

SHEET 1 OF 2

SIZE CODE D IA

NUMBER 7015168-0-0

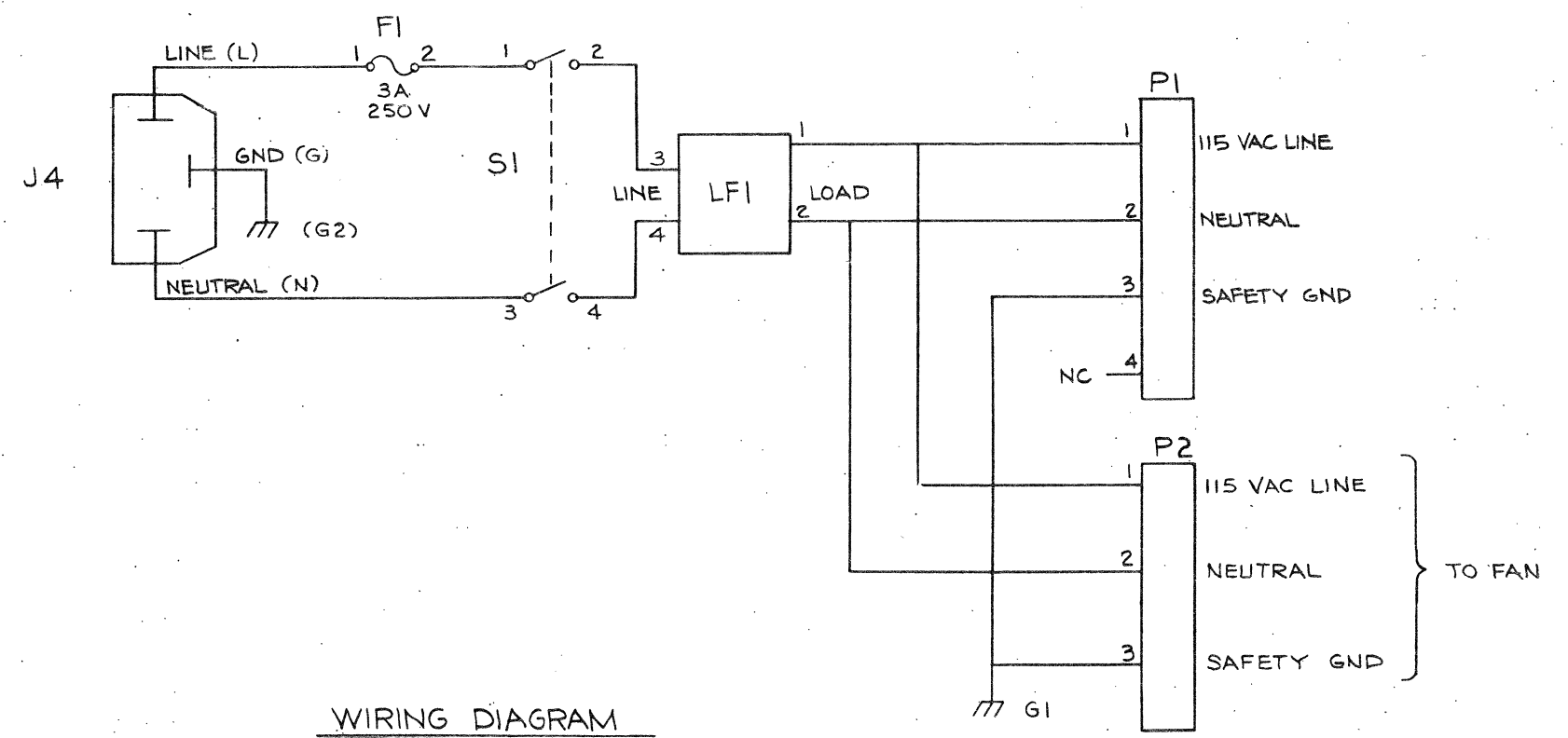
REV. H

REV.	CHANGE	BY	DATE
A	LA120 - PNO13	A	27 JUN 78
B	LA120 - PNO17	B	23 MAR 78
C	LA120 - PNO01	C	18 FEB 80
D	LA120 - PNO02	D	23 FEB 80
E	LA120 - PNO03	E	25 MAR 80
F	LA120 - PNO04	F	24 MAR 81
G	LA120 - PNO05	G	24 MAR 81
H	LA120 - PNO05	H	7 APR 81

"THIS DRAWING AND SPECIFICATIONS, HEREIN, ARE THE PROPERTY OF DIGITAL EQUIPMENT CORPORATION AND SHALL NOT BE REPRODUCED OR COPIED OR USED IN WHOLE OR IN PART AS THE BASIS FOR THE MANUFACTURE OR SALE OF ITEMS WITHOUT WRITTEN PERMISSION. COPYRIGHT © 1978 DIGITAL EQUIPMENT CORPORATION"

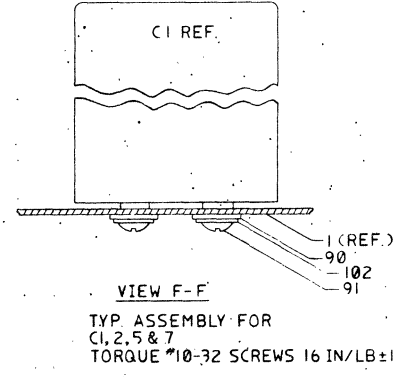
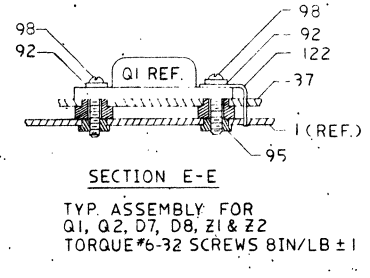
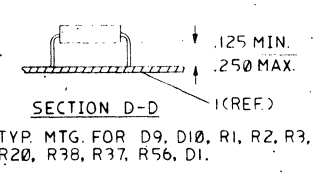
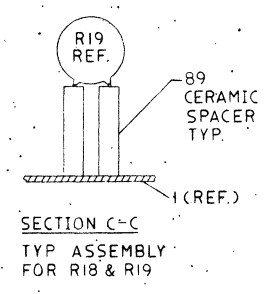
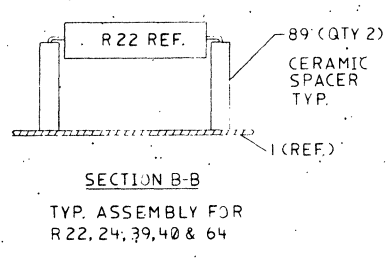
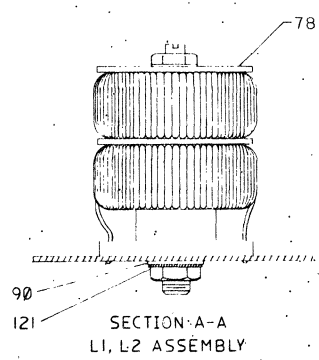
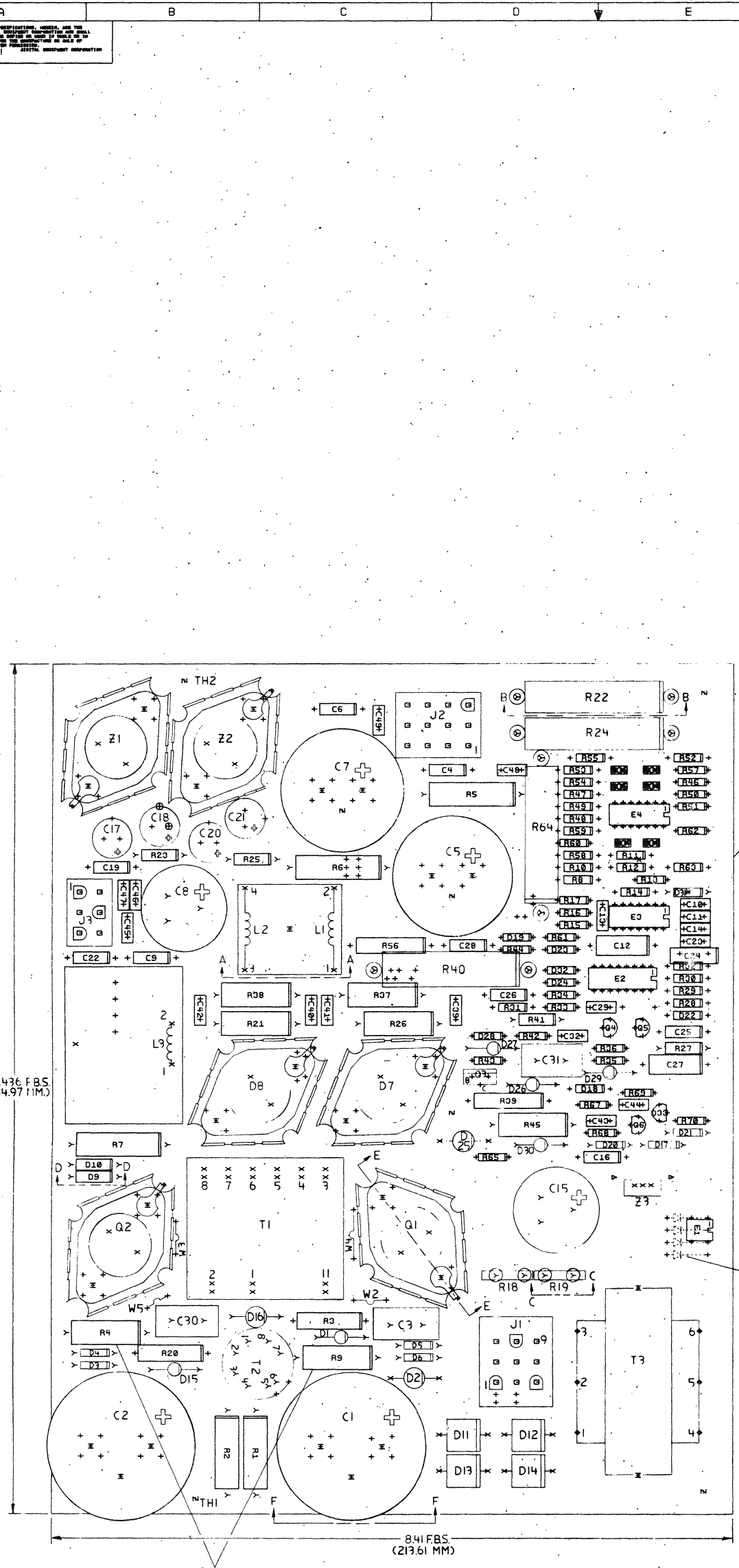
WIRE TABLE

ITEM NO	DESCRIPTION		FROM			TO			REMARKS
	AWG	COLOR	POINT	CONN	WITH	POINT	CONN	WITH	
3	18	GRN/YEL	1	-	-	-	ITEM 1-G1	ITEM 1-G1	
		BLU	8	-	-	-	LFI-2	-	
		BRN	9	-	-	-	LFI-1	-	
11		BLU	-	LFI-4	-	-	SI-4	-	
12		BRN	-	LFI-3	-	-	SI-2	-	
13		BLK	-	SI-1	-	-	F1-2	SOL & 17	
14		BLU	-	SI-3	-	-	J4-N	SOL & 17	
15	18	BRN	-	J4-L	SOL & 17	-	F1-1	SOL & 17	
16	14	GRN/YEL	-	J4-G	SOL & 17	-	-	-	



REVISIONS		
CHK	CHANGE NO.	REV.

THIS DRAWING AND SPECIFICATIONS, HEREIN, ARE THE PROPERTY OF DIGITAL EQUIPMENT CORPORATION AND SHALL BE KEPT IN CONFIDENCE TO THE EXTENT PERMITTED BY THE APPLICABLE LAWS. NO PART OF THIS DRAWING IS TO BE REPRODUCED OR TRANSMITTED IN ANY FORM OR BY ANY MEANS, ELECTRONIC OR MECHANICAL, INCLUDING PHOTOCOPYING, RECORDING, OR BY ANY INFORMATION STORAGE AND RETRIEVAL SYSTEM, WITHOUT THE WRITTEN PERMISSION OF DIGITAL EQUIPMENT CORPORATION.



EXTRA HOLES FOR DISCRETE DIODE OPTION

COMPONENT SIDE VIEW

NOTES:
1. THIS BOARD REQUIRES UL APPROVAL.
2. R4 & R9 ARE FUSIBLE RESISTORS.
3. DO NOT INSTALL C9, C10, D10, D13, R67, R67-R70 & Q6.

STEP	BY	DATE	DESCRIPTION
1			

CHANGE NO	REV	DATE	DESCRIPTION

ETCH REV. CP1

SIGNATURES	DATE	digital
DRN: P. D. ...	2/7/81	
CHK: D. ...	2/11/81	
MECH. ENG. ...	2/11/81	
PROJ. ENG. ...	2/11/81	
PROD. ...	2/11/81	TITLE LA-120 POWER SUPPLY
SCALE 2/1	SHT. 1 OF 1	SIZE CODE E
NEXT HIGHER ASSY. B-00-5413673-0		NUMBER UA 5413673-0-0
		REV F

LINE ITEM	DOCUMENT NUMBER	PART NUMBER	DESCRIPTION	QTY PER VARIATION	REFERENCE DESIGNATOR
1	1	E-MD-5013672-0-0	5013672-00 DRILL & ETCH BD	1	
2	2		1016117-00 1600 MFD 200V +50-10% AL EL	2	C1,C2
3	3		1014139-00 .0022 MFD 600V 10% POLYPROP	2	C3,C30
4	4		1013466-11 .22 MFD 50V +80-20% Z5U CER	7	C4,C6,C9,C16,C19,C22,C25
5	5		1016233-00 14,000 MFD 28V 20% AL EL	2	C5,C7
6	6		1014260-03 8200 MFD 6.3V +75-10% AL EL	1	C8
7	7		1001610-01 .01 MFD50/100V +80-20% DISC	9	C10,C11,C13,C14,C45-C49
8	8		1005507-00 1 MFD 100V +50-10% AL EL	2	C12,C27
9	9		1014260-02 2100 MFD 40V +75-10% AL EL	1	C15
10	10		1014526-00 180 MFD 40V+100-10% AL EL	2	C17,C20
11	11		1012607-00 560 MFD 20V+100-10% AL EL	2	C18,C21
12	12		1000055-00 2200.0 MMF 250V 20% Y5S DISC	5	C32,C39-C42
13	13		1011847-01 .01 MFD 400V 10% POLYPROP	1	C31
14	14		1014170-00 2700.0 MMF 100V 1% 70PPM MICA	1	C24
15	15		1000016-00 100.0 MMF 100V 5%200PPM MICA	2	C23,C29
16	16		1005328-00 .33 MFD 20V 10% S.TANT	1	C26
17	17		1004812-00 15 MFD 20V 10% S.TANT	1	C28
18	18		1112595-02 A114M PIV=600 I= 1A	2	D1,D15
19	20		1105796-00 1N 4004 PIV=400 I= 1A D041 SP	8	D3-D6,D17,D21,D31,D20
20	21		1114192-00 TR=200NS COM. CATHODE	2	D7,D8
21	22		1114893-00 UES1301 PIV= 50 I= 6A	2	D9,D10
22	23		1110615-01 PIV=600 I=6A SI	4	D11,D12,D13,D14
23	24		1105873-00 4M5-1AZ1 VZ= 5.1 1% .400W	1	D22
24	25		1100114-00 D 664 QS\75PCB PIV= 25V SP	5	D23,D24,D28,D19,D32
25	26		1112594-01 A115B PIV=200 I= 3A	1	D25
26	27		1112595-01 A114B PIV=200 I= 1A	4	D26,D27,D29,D30
27	28		1115369-00 VM 18 PIV=100 I=1A	1	E1
28	29		1510706-00 XA 55 PNP 500MW SI 60 50 P	1	Q4
29	30		1514271-01 D 44Q5 NPN 31W SI225 30	1	Q3
30	31		1510705-00 XA 05 NPN 500MW SI 60 50 P	1	Q5

REVISION HISTORY			BASIC PART NO: 5413673			DRN: JERRY BEST			DATE: 05-OCT-78			DIGITAL		
ENG	ECO NUMBER	REV	SECTION A OF A			CHK'D: T. SHETRAWSKI			DATE: 05-OCT-78			TITLE PARTS LIST		
---	INIT	B	SECTION VARIATION INDEX			DES.ENG: DAN SHEEHAN <td colspan="3">DATE: 05-OCT-78 <td colspan="3">DOCUMENT NUMBER</td> </td>			DATE: 05-OCT-78 <td colspan="3">DOCUMENT NUMBER</td>			DOCUMENT NUMBER		
DS	5413673-PN002	C	[A]	00	RESP.ENG.: DAN SHEEHAN <td colspan="3">DATE: 05-OCT-78 <td colspan="3">SIZE CODE NUMBER REV</td> </td>			DATE: 05-OCT-78 <td colspan="3">SIZE CODE NUMBER REV</td>			SIZE CODE NUMBER REV			
JB	5413673-PN003	D	[B]		MFG.ENG.: JIM JOYCE <td colspan="3">DATE: 09-APR-79 <td>K</td> <td>PL</td> <td>5413673-0-DBP</td> <td>H</td> </td>			DATE: 09-APR-79 <td>K</td> <td>PL</td> <td>5413673-0-DBP</td> <td>H</td>			K	PL	5413673-0-DBP	H
JB	5413673-PN004	E	[C]		ASSEMBLY NUMBER: <td colspan="3">TOP DOCUMENT NUMBER: <td colspan="3">FILE NAME: EDIT #</td> </td>			TOP DOCUMENT NUMBER: <td colspan="3">FILE NAME: EDIT #</td>			FILE NAME: EDIT #			
JB	5413673-PN005	F	[D]		D-UA-5413673-0-0 <td colspan="3"> <td colspan="3">13673H.PLS 52</td> </td>			<td colspan="3">13673H.PLS 52</td>			13673H.PLS 52			
LG	5413673-PN006	H	[E]											
NG	5413673-PN006	H	[F]											
			[G]											
			[H]											
			[I]											
			[J]											
			[K]											
			[L]											
			[M]											
			[N]											

*THIS DRAWING AND SPECIFICATIONS HEREIN, ARE THE PROPERTY OF DIGITAL EQUIPMENT CORPORATION AND SHALL NOT BE REPRODUCED OR COPIED OR USED IN WHOLE OR IN PART AS THE BASIS FOR THE MANUFACTURE OR SALE OF ITEMS WITHOUT WRITTEN PERMISSION. COPYRIGHT (C) 1981. DIGITAL EQUIPMENT CORPORATION *

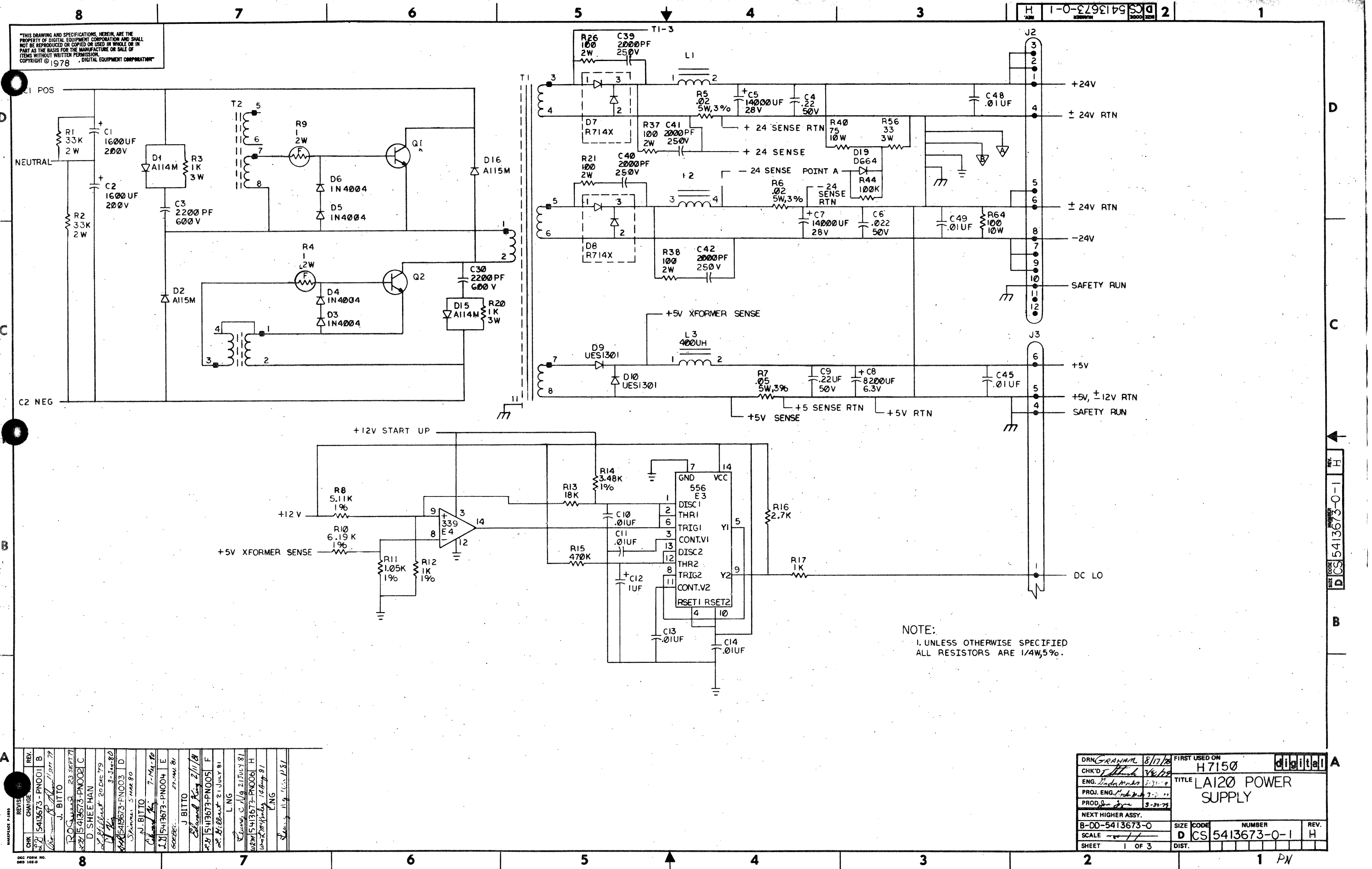
LINE	ITEM	DOCUMENT NUMBER	PART NUMBER	DESCRIPTION	QTY PER VARIATION 00	REFERENCE DESIGNATOR
31	32		1512782-00	NPN 100W S1325 15	2	Q1,Q2
32	33		1212297-06	MATE-N-LOK 12PIN UNIV HEADER	1	J2
33	34		1212297-02	MATE-N-LOK 9PIN UNIV HEADER	1	J1
34	35		1212297-05	MATE-N-LOK 6PIN UNIV HEADER	1	J3
35	37		1213426-04	HEAT SINK T0-3 CLEAR ANODIZED	6	
36	38		1215228-00	*** THIS ITEM IS NOT USED ***	-	
37	40		1300512-00	33.0 K 2.0 W10.0 % CC	2	R1,R2
38	41		1314350-00	1.0 2.0 W10.0 % FUSE	2	R4,R9
39	42		1310876-00	.02 5.0 W 3.0 % WW	2	R5,R6
40	43		1310876-03	.05 5.0 W 3.0 % WW	1	R7
41	46		1312479-00	1.05 K .25 W 1.0 % RN55D-F10	1	R11
42	47		1303114-00	1.0 K .25 W 1.0 % RN55D-F10	7	R12,R47,R48,R53,R58,R59,R54
43	48		1302465-00	18.0 K .25 W 5.0 % CC	1	R13
44	49		1305114-00	3.48 K .25 W 1.0 % RN55D-F10	1	R14
45	50		1302398-00	470.0 K .25 W 5.0 % CC	1	R15
46	51		1300426-00	2.70 K .25 W 5.0 % CC	1	R16
47	52		1314270-02	2.50 15.0 % NTC THERM	2	R18,R19
48	53		1314520-00	9.10 10.0 W 5.0 % WW	2	R22,R24
49	54		1300400-00	1.80 K .50 W10.0 % CC	2	R23,R25
50	55		1314239-00	33.0 3.0 W 5.0 % WW	1	R56
51	56		1300219-00	68.0 .25 W 5.0 % CC	1	R43
52	57		1309595-00	1.0 M .25 W 5.0 % CC	1	R46
53	58		1314253-00	240.0 K .25 W 5.0 % CC	3	R50,R57,R62
54	59		1305336-00	200.0 K .25 W 1.0 % RN55D-F10	1	R60
55	64		1300316-00	470.0 .25 W 5.0 % CC	1	R35
56	65		1304854-00	5.11 K .25 W 1.0 % RN55D-F10	5	R28,R29,R30,R31,R8
57	66		1314187-00	6.19 K .25 W 1.0 % RN55D-F10	2	R32,R10
58	67		1301317-00	10.0 .25 W 5.0 % CC	2	R36,R42
59	68		1302091-00	330.0 K .25 W 5.0 % CC	1	R33
60	69		1302177-00	47.0 K .25 W 5.0 % CC	2	R34,R51
61	70		1300285-00	270.0 .50 W 5.0 % CC	1	R27
62	72		1305380-00	270.0 2.0 W 5.0 % CC	1	R45
63	73		1300249-00	150.0 .50 W 5.0 % CC	1	R41
64	74		9009185-00	*** THIS ITEM IS NOT USED ***	-	
65	75		1310597-00	100.0 10.0 W 5.0 % WW	1	R64
66	76		1300365-00	1.0 K .25 W 5.0 % CC	2	R17,R61
67	77		1311594-00	30.10 K .25 W 1.0 % RN55D-F10	1	R49
68	78		1616234-00	CHOKE,DUAL .3UH-1.35UH,0A-7A	1	L1,L2
69	79		1614542-00	CHOKE,400UH 4.2A	1	L3
70	80		1614539-01	XFMR P=AB S= 140	1	T1
71	81		1614272-00	PULSE XFMR,4 WOUND	1	T2
72	82		1616237-00	XFMR P=AB S= 15@150MA 50HZ	1	T3
73	83		1914250-00	3524 MODULATOR-REGULATING	1	E2
74	84		1912108-00	339 VOLT CMPRTR,QUAD	1	E4
75	85		1914392-00	556 TIMER-DUAL	1	E3
76	86		1912048-00	DEC 7812 VOLT REG,FIX +12V	1	Z1
77	87		1914517-00	7912 VOLT REG,FIX -12V	1	Z2
78	88		1912048-06	DEC 7812 VOLT REG,FIX +12V	1	Z3

D	I	G	I	T	A	L	TITLE	SECTION A	OF A	SIZE	CODE	DOCUMENT NUMBER	REV
							LA120 POWER SUPPLY					5413673-0-DBP	H
										K	PL		

LINE ITEM	DOCUMENT NUMBER	PART NUMBER	DESCRIPTION	QTY PER VARIATION 00	REFERENCE DESIGNATOR
79	89	9009798-00	SPACER, CERAMIC, .186 ODX.078 ID	14	
80	90	9009950-01	WASHER, FLAT BR/TIN .203IDX .4380	9	
81	91	9000038-07	SCREW, PAN, PHIL 10-32X 3/8 BR/T	8	
82	92	9007801-00	WASHER, LOCK, S.S. #6	12	
83	93	9006010-01	*** THIS ITEM IS NOT USED ***	-	
84	94	9006557-00	*** THIS ITEM IS NOT USED ***	-	
85	95	1214789-00	INSERT, THREADED 6-32, BRASS, ELEC	12	
86	98	9007793-01	SCREW, PAN, PHIL 6-32X 9/16 SS	12	
87	102	9007906-00	WASHER, LOCK S.S. #10	8	
88	103	1011740-05	1000.0 MMF 50V 10% CER	6	C33-C38
89	106	1112594-02	A115M PIV=600 I= 3A	2	D2, D16
90	107	1302380-00	100.0 2.0 W 5.0 % CC	4	R21, R26, R37, R38
91	108	1310606-00	75.0 10.0 W 5.0 % WW	1	R40
92	109	1312984-00	187.0 K .25 W 1.0 % RN55D-F10	1	R55
93	110	1305323-00	511.0 K .25 W 1.0 % RN55D-F10	1	R63
94	111	1303043-00	464.0 K .25 W 1.0 % RN55D-F10	1	R52
95	113	1314675-00	1.0 K 3.0 W 5.0 % WW	2	R3, R20
96	120	1302466-00	100.0 K .25 W 5.0 % CC	1	R44
97	121	9006565-00	NUT, KEP 10-32X 3/8 AF	1	
98	122	9009676-00	TERM, SOLDER BARRIER STR	6	
99	123	9107780-00	*** THIS ITEM IS NOT USED ***	-	
100	124	1309094-00	100.0 5.0 W 5.0 % WW	1	R39

D	I	G	I	T	A	L	TITLE	SECTION A OF A	SIZE	CODE	DOCUMENT NUMBER	REV
							LA120 POWER SUPPLY				5413673-0-DBP	H

"THIS DRAWING AND SPECIFICATIONS, HEREIN, ARE THE PROPERTY OF DIGITAL EQUIPMENT CORPORATION AND SHALL NOT BE REPRODUCED OR COPIED OR USED IN WHOLE OR IN PART AS THE BASIS FOR THE MANUFACTURE OR SALE OF ITEMS WITHOUT WRITTEN PERMISSION. COPYRIGHT © 1978, DIGITAL EQUIPMENT CORPORATION"



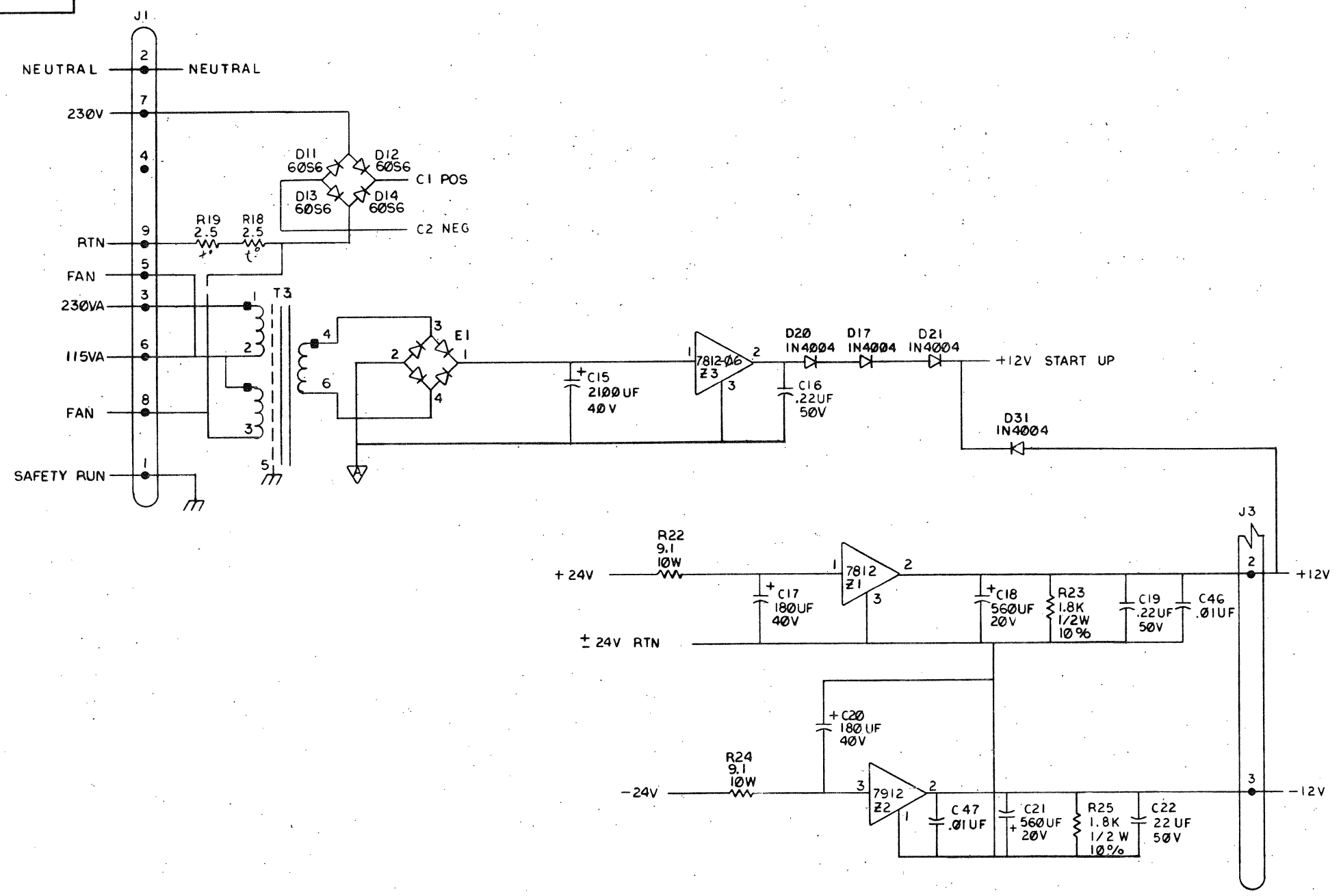
NOTE:
1. UNLESS OTHERWISE SPECIFIED
ALL RESISTORS ARE 1/4W, 5%.

REV.	CHK.	CHG.	DATE	BY
1	J. BITTO		23 SEPT 77	
2	D. SHEEHAN		3 JAN 80	
3	J. BITTO		7 MAR 80	
4	J. BITTO		21 JULY 81	
5	J. BITTO		14 AUG 81	
6	J. BITTO		11 SEP 81	

DRN	GRAHAM	8/17/78	FIRST USED ON	H7150	digital
CHK'D			TITLE	LA120 POWER SUPPLY	
ENG.			SCALE	1 OF 3	
PROJ. ENG.			SHEET	1 OF 3	
PROD. ENGR.			SIZE	CODE	NUMBER
			D	CS	5413673-0-1
			DIST.		

REV. H 5413673-0-1

"THIS DRAWING AND SPECIFICATIONS, HEREIN, ARE THE PROPERTY OF DIGITAL EQUIPMENT CORPORATION AND SHALL NOT BE REPRODUCED OR COPIED OR USED IN WHOLE OR IN PART AS THE BASIS FOR THE MANUFACTURE OR SALE OF ITEMS WITHOUT WRITTEN PERMISSION. COPYRIGHT © 1978 DIGITAL EQUIPMENT CORPORATION"

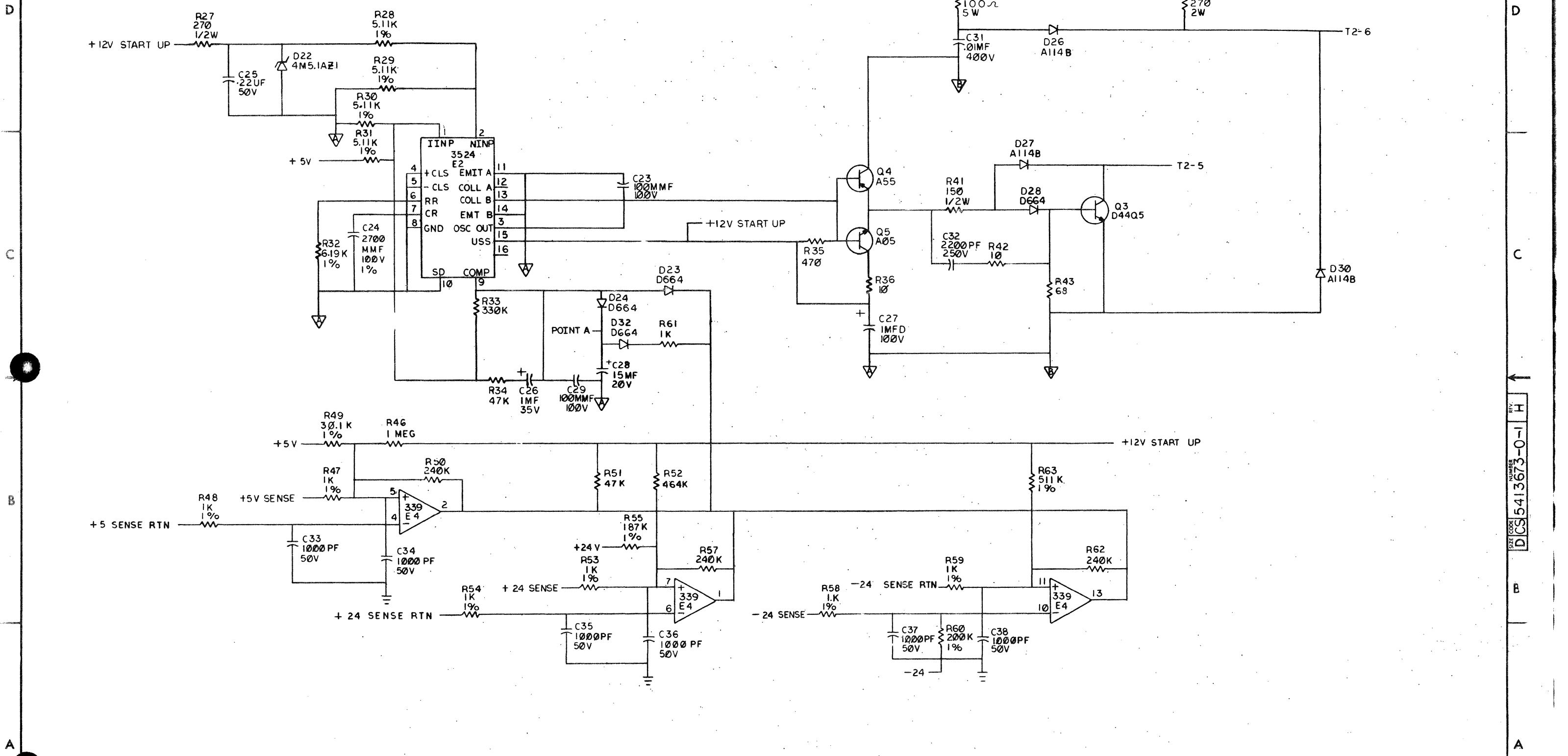


REVISIONS		
CHK	CHANGE NO.	REV.

TITLE	LA120 POWER SUPPLY	SIZE CODE	D CS	NUMBER	5413673-0-1	REV.	H
SCALE		SHEET	2	OF	3	DIST.	

"THIS DRAWING AND SPECIFICATIONS HEREIN ARE THE PROPERTY OF DIGITAL EQUIPMENT CORPORATION AND SHALL NOT BE REPRODUCED OR COPIED OR USED IN WHOLE OR IN PART AS THE BASIS FOR THE MANUFACTURE OR SALE OF ITEMS WITHOUT WRITTEN PERMISSION. COPYRIGHT © 1978 DIGITAL EQUIPMENT CORPORATION"

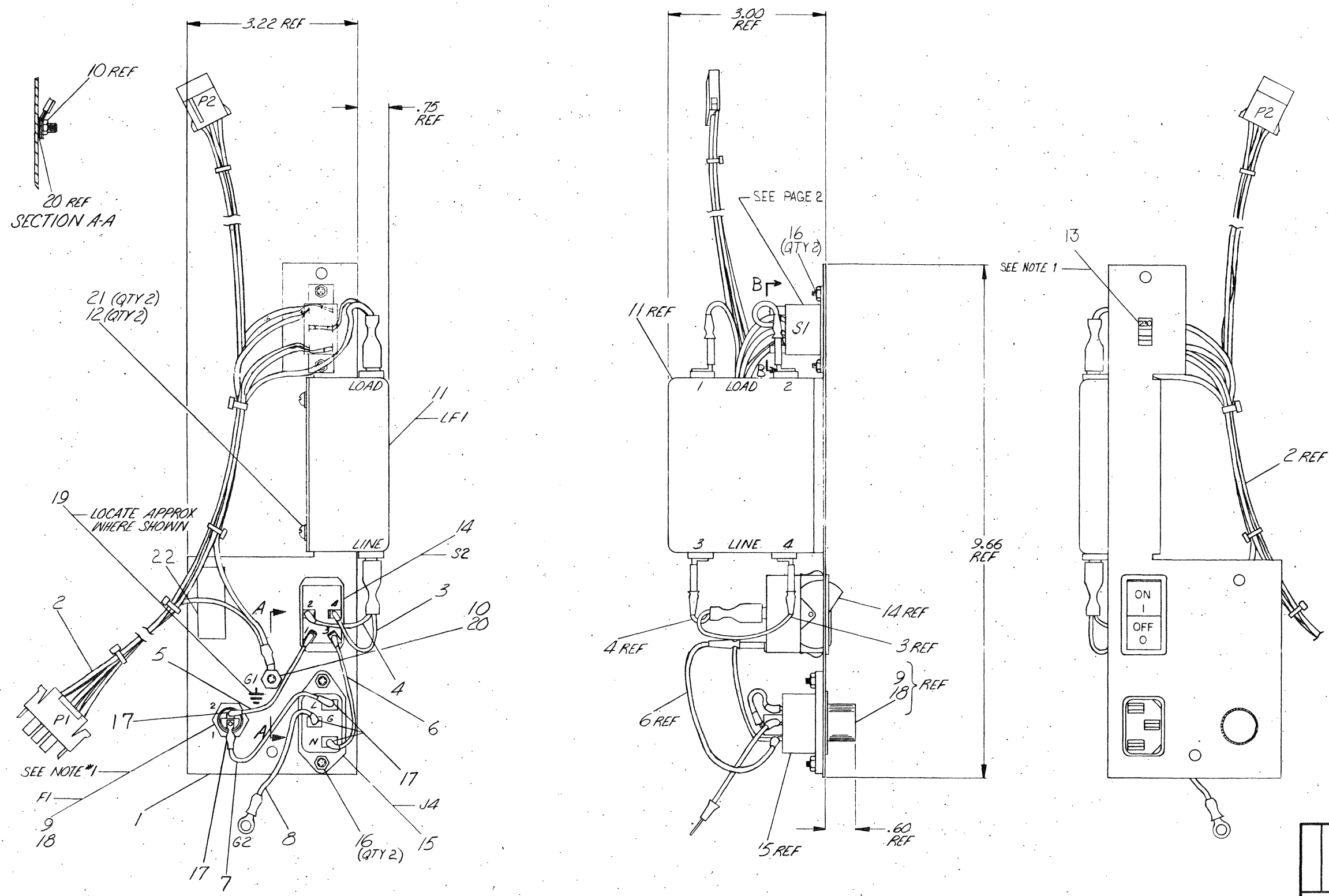
REV H 1-0-1 DCS 5413673-0-1



REVISIONS		
CHK	CHANGE NO.	REV.

THIS DRAWING AND SPECIFICATIONS HEREIN ARE THE PROPERTY OF DIGITAL EQUIPMENT CORPORATION AND SHALL NOT BE REPRODUCED OR COPIED OR USED IN WHOLE OR IN PART AS THE BASIS FOR THE MANUFACTURE OR SALE OF ITEMS WITHOUT WRITTEN PERMISSION.
 COPYRIGHT © 1978, DIGITAL EQUIPMENT CORPORATION

NOTES:
 1. OPTIONAL SWITCH HAS 220V LABELING.



CAUTION: OFF SHEET PARTS LIST EXISTS. SEE K-PL-7016530-0-DBP

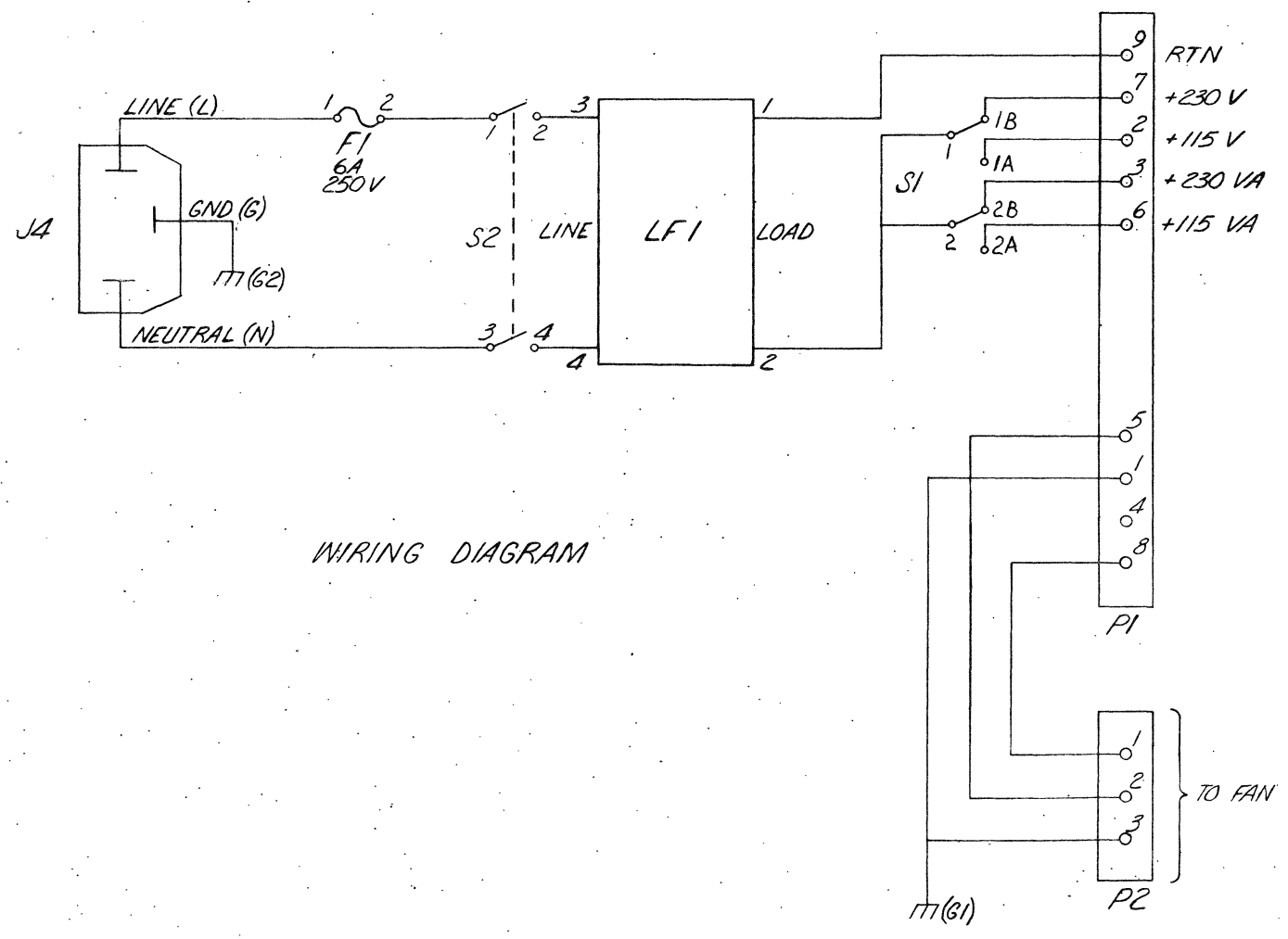
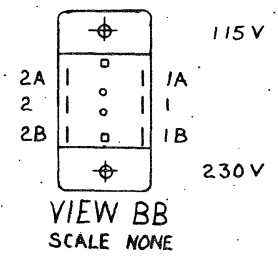
REV.	CHG. NO.	DATE	BY	CHK.	DESCRIPTION
1	7016530-PN001	7-16-80	B.O'CONNELL	J. BITTO	INITIAL DESIGN
2	7016530-PN002	8-1-80	J. BITTO	J. BITTO	REVISED FOR MANUFACTURE
3	7016530-PN003	10-1-80	J. BITTO	J. BITTO	REVISED FOR MANUFACTURE
4	7016530-PN004	11-1-80	J. BITTO	J. BITTO	REVISED FOR MANUFACTURE
5	7016530-PN005	12-1-80	J. BITTO	J. BITTO	REVISED FOR MANUFACTURE
6	7016530-PN006	1-1-81	J. BITTO	J. BITTO	REVISED FOR MANUFACTURE
7	7016530-PN007	2-1-81	J. BITTO	J. BITTO	REVISED FOR MANUFACTURE
8	7016530-PN008	3-1-81	J. BITTO	J. BITTO	REVISED FOR MANUFACTURE
9	7016530-PN009	4-1-81	J. BITTO	J. BITTO	REVISED FOR MANUFACTURE
10	7016530-PN010	5-1-81	J. BITTO	J. BITTO	REVISED FOR MANUFACTURE
11	7016530-PN011	6-1-81	J. BITTO	J. BITTO	REVISED FOR MANUFACTURE
12	7016530-PN012	7-1-81	J. BITTO	J. BITTO	REVISED FOR MANUFACTURE
13	7016530-PN013	8-1-81	J. BITTO	J. BITTO	REVISED FOR MANUFACTURE
14	7016530-PN014	9-1-81	J. BITTO	J. BITTO	REVISED FOR MANUFACTURE
15	7016530-PN015	10-1-81	J. BITTO	J. BITTO	REVISED FOR MANUFACTURE
16	7016530-PN016	11-1-81	J. BITTO	J. BITTO	REVISED FOR MANUFACTURE
17	7016530-PN017	12-1-81	J. BITTO	J. BITTO	REVISED FOR MANUFACTURE
18	7016530-PN018	1-1-82	J. BITTO	J. BITTO	REVISED FOR MANUFACTURE
19	7016530-PN019	2-1-82	J. BITTO	J. BITTO	REVISED FOR MANUFACTURE
20	7016530-PN020	3-1-82	J. BITTO	J. BITTO	REVISED FOR MANUFACTURE
21	7016530-PN021	4-1-82	J. BITTO	J. BITTO	REVISED FOR MANUFACTURE
22	7016530-PN022	5-1-82	J. BITTO	J. BITTO	REVISED FOR MANUFACTURE

QUANTITY & VARIATION		DESCRIPTION		DWG./PART NO.	ITEM NO.
UNLESS OTHERWISE SPECIFIED DIMENSIONS ARE IN INCHES					
ANGLES	CLASS OF ACCURACY	NOMINAL DIMENSION RANGE INCHES			
30° 30'	(CHECK ONE)	OVER 0 TO 0.2	OVER 0.2 TO 1.2	OVER 1.2 TO 4.0	OVER 4.0 TO 40.0
SURFACE QUALITY	MEDIUM	±.004	±.008	±.012	±.016
IN	PREFERRED	±.012	±.018	±.025	±.04
MICROINCHES				±.063	±0.1
THIRD ANGLE PROJECTION		FIRST USED ON		LA120 digital	
REMOVE BURRS AND BREAK SHARP CORNERS		TITLE		POWER ENTRY ASSY (SWITCHER)	
DO NOT SCALE DWG		NEXT HIGHER ASSY.		SCALE	
MATERIAL SEE 6530B.PLS		SCALE		SIZE CODE NUMBER	
FINISH		SHEET 1 OF 2		DIST. 7016530-0-0	

"THIS DRAWING AND SPECIFICATIONS, HEREIN, ARE THE PROPERTY OF DIGITAL EQUIPMENT CORPORATION AND SHALL NOT BE REPRODUCED OR COPIED OR USED IN WHOLE OR IN PART AS THE BASIS FOR THE MANUFACTURE OR SALE OF ITEMS WITHOUT WRITTEN PERMISSION. COPYRIGHT © 1976 DIGITAL EQUIPMENT CORPORATION"

WIRED TABLE

ITEM NO.	DESCRIPTION		FROM			TO			REMARKS
	AWG	COLOR	POINT	CONN	WITH	POINT	CONN	WITH	
3	18	BLU	---	LF1-4	---	---	S2-4	---	
4	18	BRN	---	LF1-3	---	---	S2-2	---	
5	18	BLK	---	S2-1	---	---	F1-2	SOLE #17	
6	18	BLU	---	S2-3	---	---	JA-N	SOLE #17	
7	18	BRN	---	JA-L	SOLE #17	---	F1-1	SOLE #17	
8	14	GRN/YEL	---	JA-6	SOLE #17	---	---	---	
2	14	GRN/YEL	1	---	---	---	G1	ITEM	
	14	GRN/YEL	2	---	---	---	G1	*10	
	18	BLU	---	SI-1	---	---	LF1-2	---	
	18	BRN	---	PI-9	---	---	LF1-1	---	
	18	BLK	---	PI-7	---	11	SI-1B	---	
	18	BLK	---	PI-3	---	12	SI-2B	---	
	18	BRN	---	PI-2	---	13	SI-1A	---	
	18	BRN	---	PI-6	---	14	SI-2A	---	
18	BLU	---	SI-2	---	15	SI-1	---		



REVISIONS		
CHK	CHANGE NO.	REV.

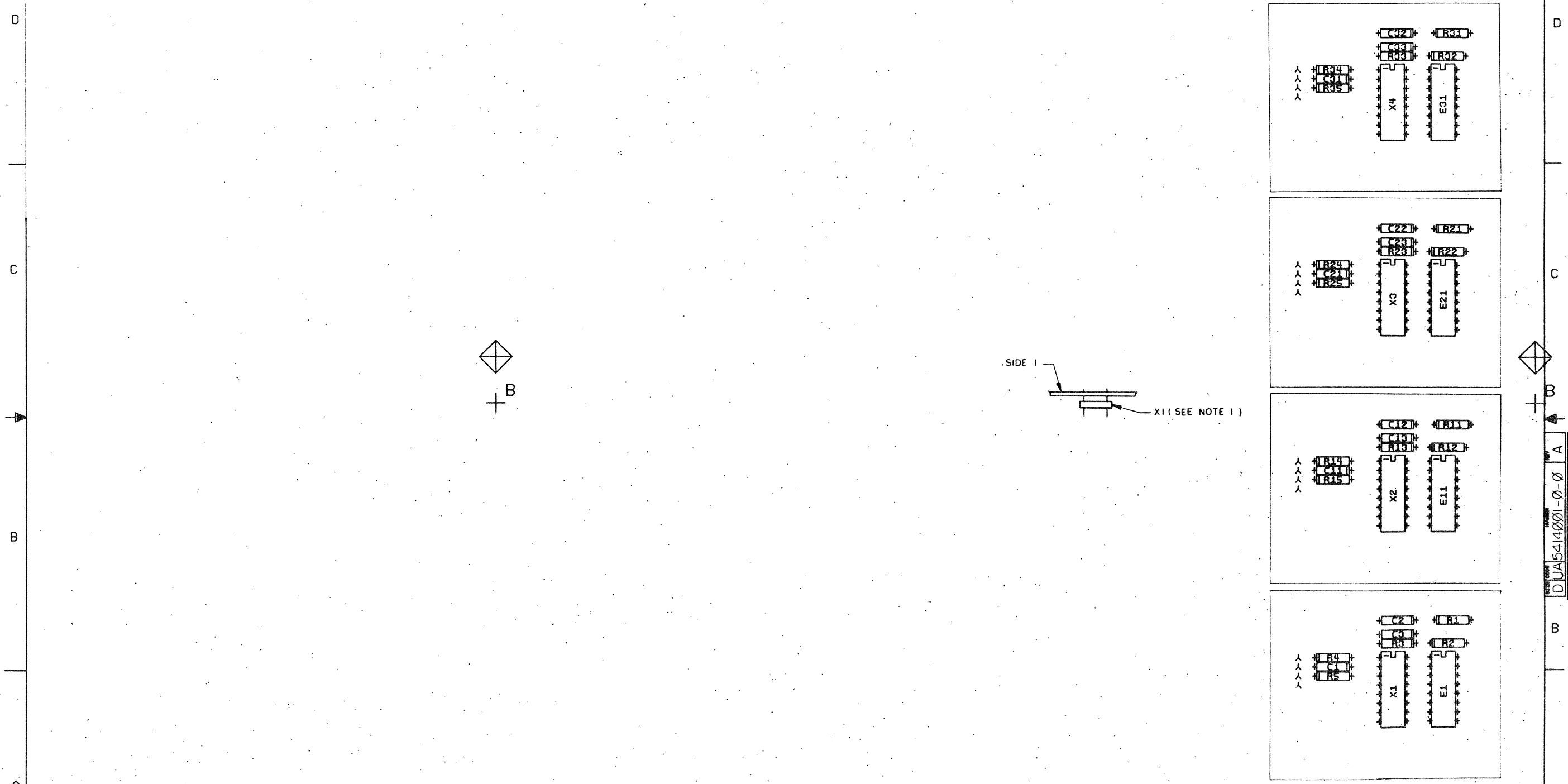
LINE	ITEM	DOCUMENT NUMBER	PART NUMBER	DESCRIPTION	QTY PER VARIATION	REFERENCE DESIGNATOR
1	1	D-MD-5014000-0-0	5014000-00	DRILL & ETCH BD	1	
2	2		1001610-00	.01 MFD 50V -20+80 Z5U AXIAL	3	C1-C3
3	3		1300365-00	1 K 1/4W 5% CC	1	R1
4	4		1300479-00	10 K 1/4W 5% CC	2	R2,R3
5	5		1300309-00	390 1/4W 5% CC	2	R4,R5
6	6		1912648-00	LS251 MUX 8 INPUT,TRI-STA	1	E1
7	7		1209837-00	SOCKET 16PIN IC ADAPTER PLUG	1	X1
8	8		9009217-00	POST, WIRE WRAP	4	

REVISION HISTORY		BASIC PART NO: 5414001		DRN:	E, WILSON	DATE:	18-DEC-78	D I G I T A L			
ENG:	ECO NUMBER	REV	SECTION A OF A	CHK'D:	R, W. CAUNTER	DATE:	18-DEC-78	TITLE			PARTS LIST
---	INITIAL	A	SECTION VARIATION INDEX					5414001			
			[A] 00					LA120 KEYBOARD TERM.			
			[B]	DES, ENG:	D, LEBLANC	DATE:	18-DEC-78	DOCUMENT NUMBER			
			[C]								
			[D]	RESP, ENG.:	D, LEBLANC	DATE:	18-DEC-78	SIZE	CODE	NUMBER	REV
			[E]								
			[F]								
			[H]	MFG, ENG.:	ED BLAIR	DATE:	28-FEB-79	K	PL	5414001-0-DBP	A
			[J]								
			[K]	ASSEMBLY NUMBER:				FILE NAME:		EDIT #	
			[L]	D-UA-5414001-0-0				14001.PRT		3	
			[M]								
			[N]								

"THIS DRAWING AND SPECIFICATIONS HEREIN, ARE THE PROPERTY OF DIGITAL EQUIPMENT CORPORATION AND SHALL NOT BE REPRODUCED OR COPIED OR USED IN WHOLE OR IN PART AS THE BASIS FOR THE MANUFACTURE OR SALE OF ITEMS WITHOUT WRITTEN PERMISSION. COPYRIGHT (C) 1979. DIGITAL EQUIPMENT CORPORATION"

THIS DRAWING AND SPECIFICATIONS, HEREIN, ARE THE PROPERTY OF DIGITAL EQUIPMENT CORPORATION AND SHALL NOT BE REPRODUCED OR COPIED IN WHOLE OR IN PART IN ANY MANNER FOR THE MANUFACTURE OR SALE OF ITEMS WITHOUT WRITTEN PERMISSION.
 COPYRIGHT © 1978 DIGITAL EQUIPMENT CORPORATION

COMPONENT SIDE VIEW

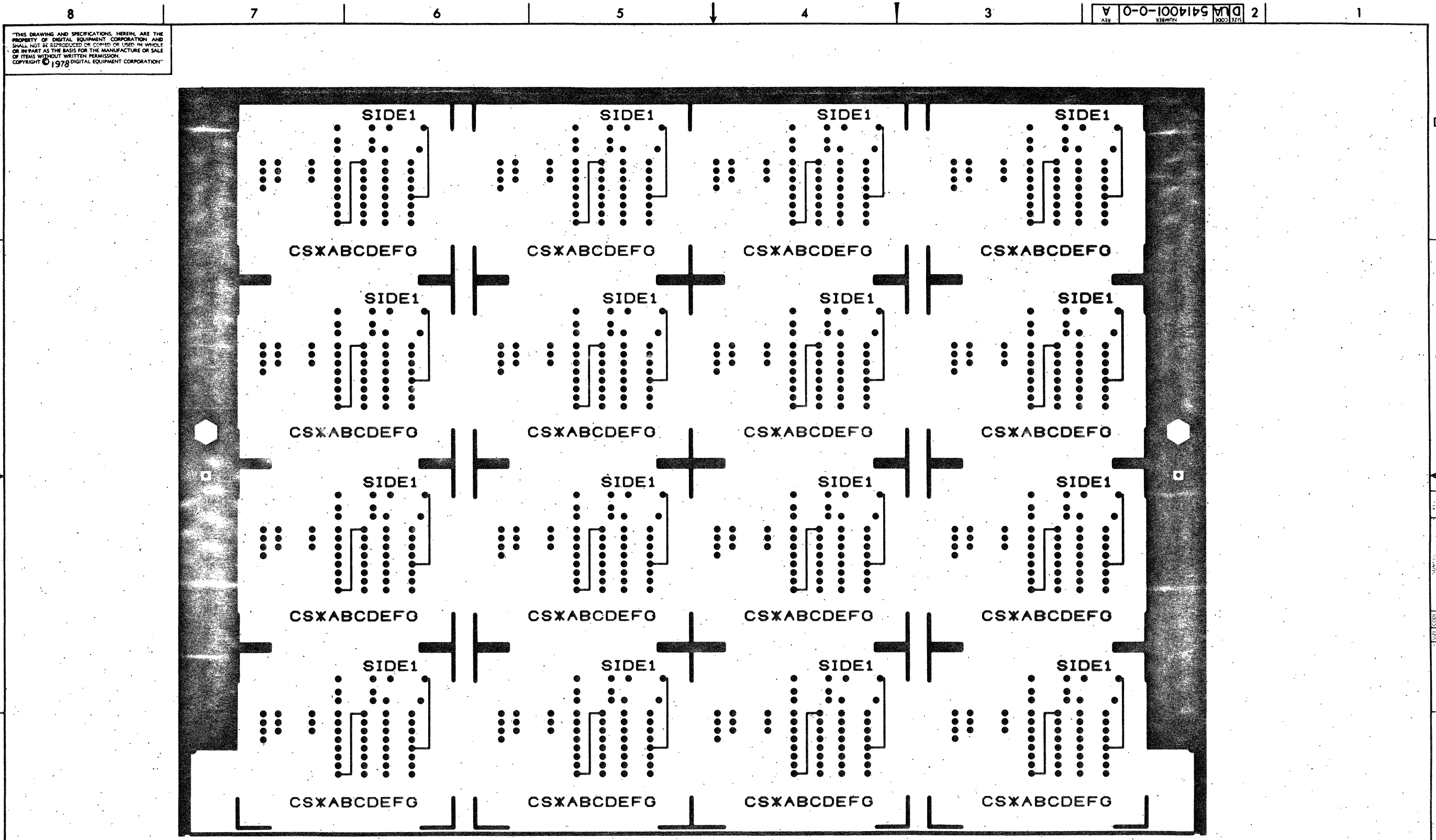


NOTES: COMPONENT X1 IS INSTALLED ON SIDE 2 AND IS ONLY INSERTED AS DEEP AS NECESSARY TO MAKE A GOOD SOLDER CONNECTION ON SIDE 1.

CHG	NO	REV

ETCH REV.	A
P.C. DESIGN DATA BASE REV.	AL

SIGNATURES	DATE	digital
DRN. <i>J. L. Espar</i>	6-21-78	
CHK'D. <i>R. J. Caspary</i>	6-20-78	TITLE LA120
ENG. <i>J. L. Espar</i>	6-21-78	
PROJ. ENG. <i>D. J. ...</i>	1-21-78	KEYBOARD TERM.
PROD. <i>...</i>	3-18-78	
SCALE 2/1	SIZE CODE	NUMBER
SHT. 1 OF 3	D	JA 5414001-0-0
NEXT HIGHER ASSY. B-DD-5414001-0	REV	A



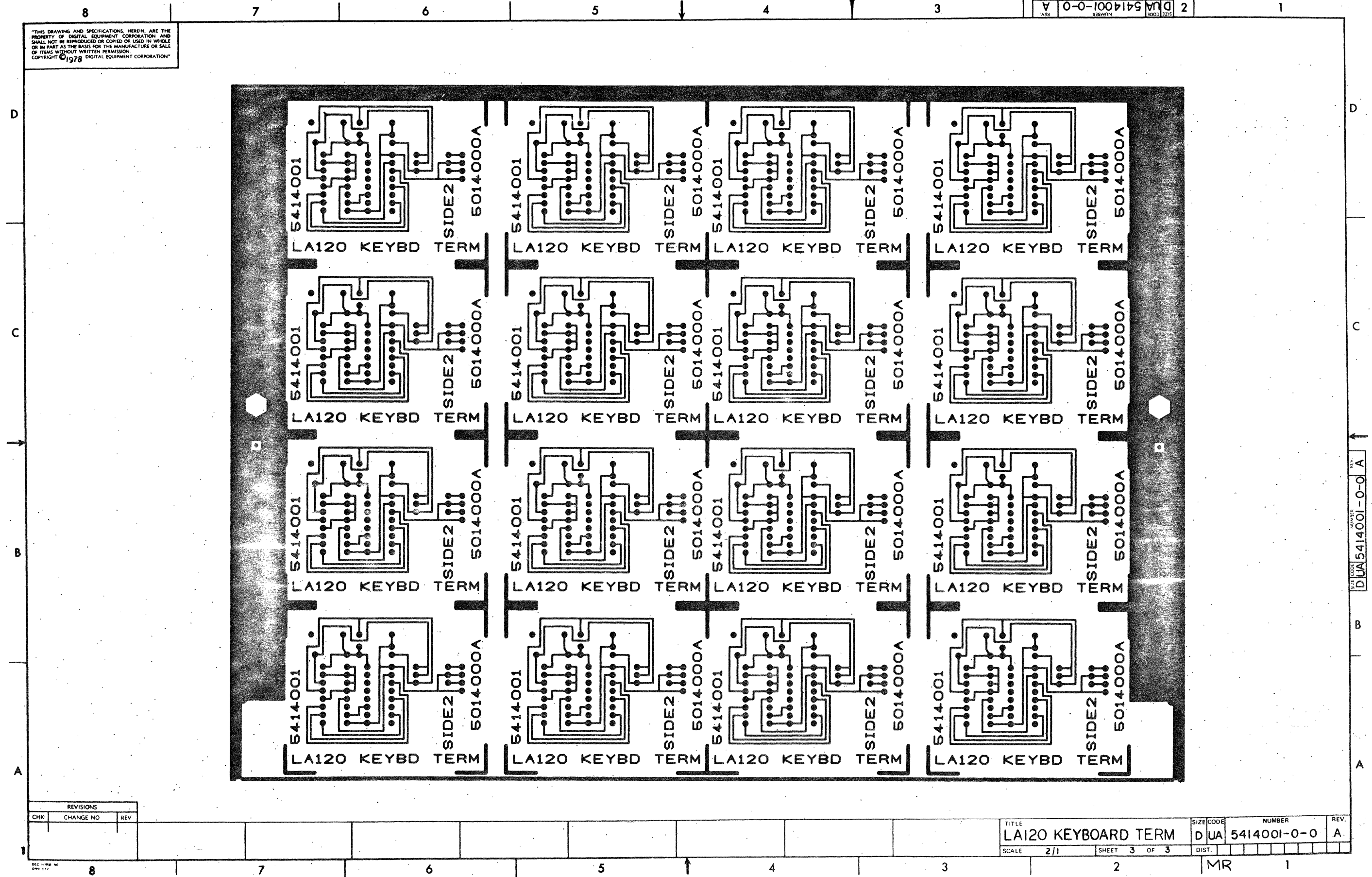
"THIS DRAWING AND SPECIFICATIONS, HEREIN, ARE THE PROPERTY OF DIGITAL EQUIPMENT CORPORATION, AND SHALL NOT BE REPRODUCED OR COPIED OR USED IN WHOLE OR IN PART AS THE BASIS FOR THE MANUFACTURE OR SALE OF ITEMS WITHOUT WRITTEN PERMISSION. COPYRIGHT © 1978 DIGITAL EQUIPMENT CORPORATION"

REVISIONS		
CHK	CHANGE NO	REV.

8	7	6	5	4	3	2	1	
TITLE LA120 KEYBOARD TERM.						SIZE CODE D UA	NUMBER 5414001-0-0	REV. A
SCALE 2/1						SHEET 2 OF 3		DIST
						MR		

DEC FORM NO 060 137

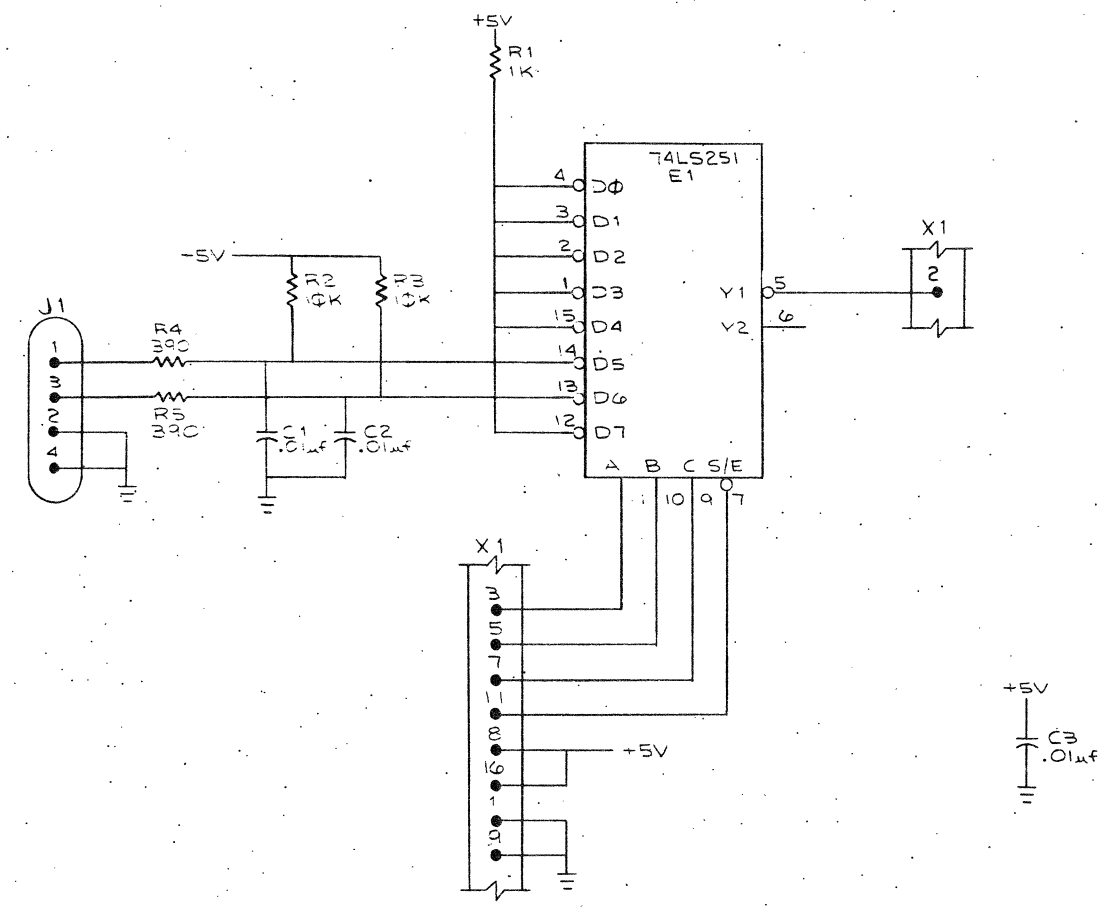
"THIS DRAWING AND SPECIFICATIONS, HEREIN, ARE THE PROPERTY OF DIGITAL EQUIPMENT CORPORATION AND SHALL NOT BE REPRODUCED OR COPIED OR USED IN WHOLE OR IN PART AS THE BASIS FOR THE MANUFACTURE OR SALE OF ITEMS WITHOUT WRITTEN PERMISSION. COPYRIGHT © 1978 DIGITAL EQUIPMENT CORPORATION"



REVISIONS		
CHK	CHANGE NO	REV

TITLE	LA120 KEYBOARD TERM	SIZE CODE	D UA	NUMBER	5414001-0-0	REV.	A
SCALE	2/1	SHEET	3	OF	3	DIST.	

"THIS DRAWING AND SPECIFICATIONS, HEREIN, ARE THE PROPERTY OF DIGITAL EQUIPMENT CORPORATION AND SHALL NOT BE REPRODUCED OR COPIED OR USED IN WHOLE OR IN PART AS THE BASIS FOR THE MANUFACTURE OR SALE OF ITEMS WITHOUT WRITTEN PERMISSION.
 COPYRIGHT © 1978, DIGITAL EQUIPMENT CORPORATION"



REV.	CHANGE NO.

DRN: <i>W. Cantor</i>	25078	FIRST USED ON	LAI20	digital
CHK: <i>D. Blum</i>	1 Dec 78	TITLE	LAI20	KEYBOARD TERM.
ENG: <i>D. Blum</i>	1 Dec 78	SCALE	1:1	
PROJ. ENG: <i>D. Blum</i>	1 Dec 78	SHEET	1	OF 1
PROD: <i>J. Cantor</i>	23 FEB 79	SIZE	D	CS
NEXT HIGHER ASSY.		NUMBER	5414001-0-1	REV.
B-DD-5414001-0		DIST.		A